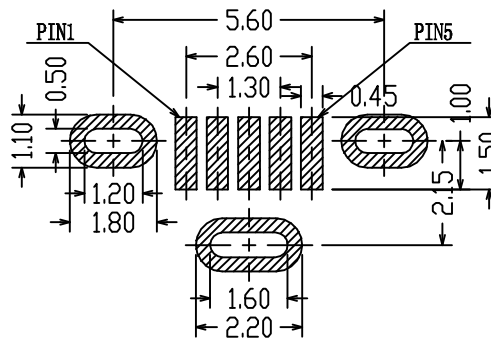
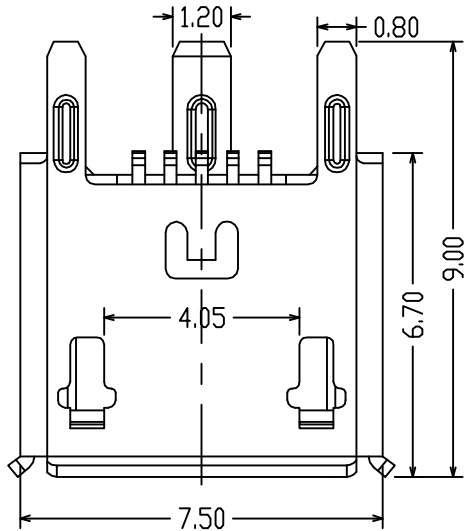
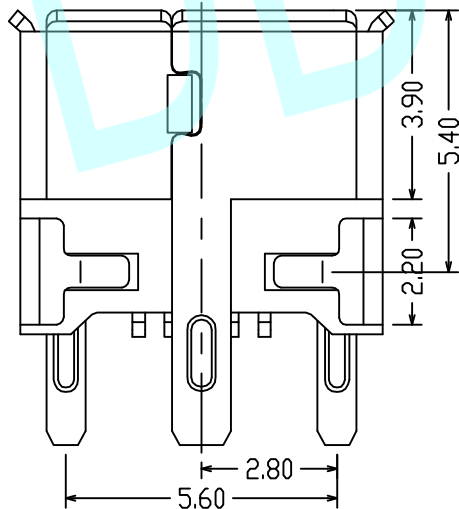
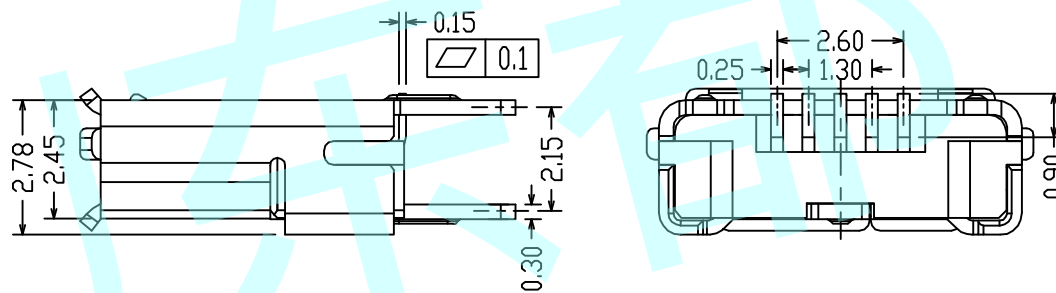
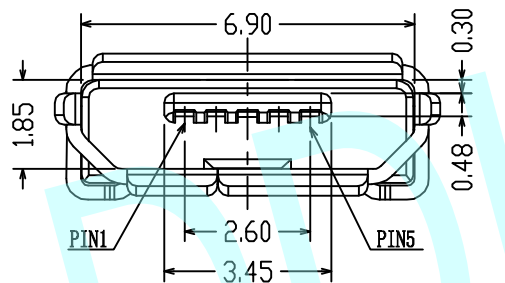


ROHS


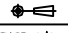


PCB Layout (Thickness=1.60mm)



NOTES:

1. Rating: DC 30V 1A
2. Mechanical Life: 5,000 Cycles

APPROVALS		DATE	http://www.dongdudz.com		 <b>东都电子</b> DONGDU ELECTRONICS
DRAW:	ZRD	2017-12-6	TOLERANCE:	ANGLE:	
CHECKED:	***	***	30 <sup>≥</sup>	±0.30	±2°
APPOVALS:	***	***	10 <sup>~</sup> 30	±0.20	
			5 <sup>~</sup> 10	±0.15	
			≤5	±0.10	
MODEL:	USB CONNECTOR		UNIT : mm	SCALE: 1:1	
PART NO:	MICRO USB-M-07		REV:	A	