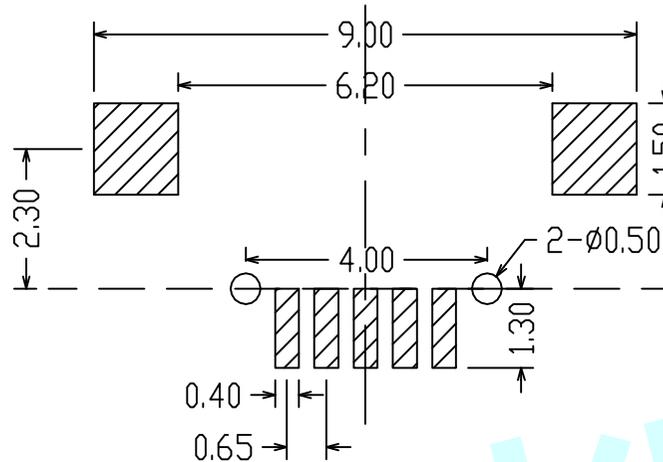
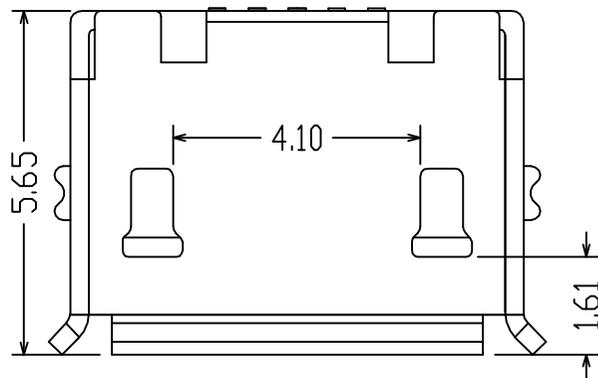
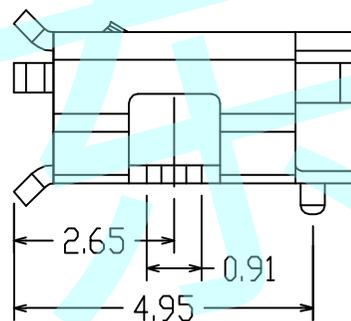
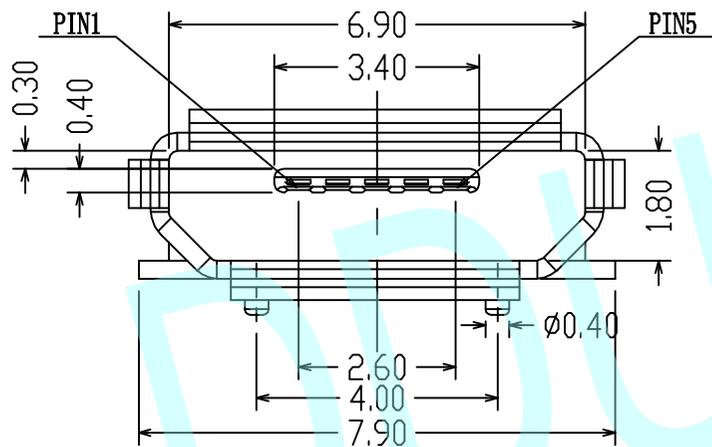


ROHS

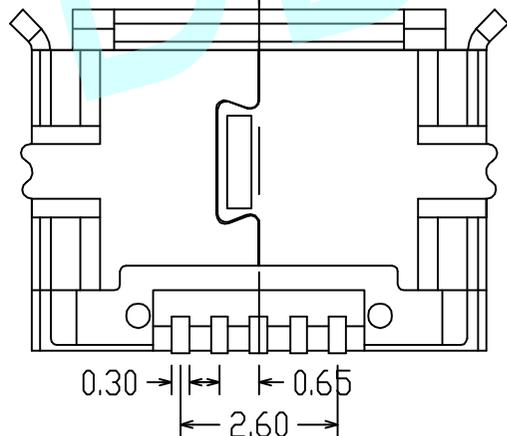


Recommended PCB Layout



NOTES:

1. Rating:DC 30V 1A
2. Mechanical Life:10,000 Cycles
3. Packaging:1000PCS/Reel



APPROVALS		DATE	http://www.dongdudz.com		 <b>® 东都电子</b> DONGDU ELECTRONICS
DRAW:	ZRD	2017-12-6	TOLERANCE:	ANGLE:	
CHECKED:	***	***	30° ≥ ±0.30	±2°	
APPOVALS:	***	***	10°~30 ±0.20		
			5°~10 ±0.15		
			≤5 ±0.10		
MODEL:	USB CONNECTOR		UNIT :mm	SCALE:1:1	
PART NO:	MICRO USB-M-05		REV:	A	PAGE:1/1