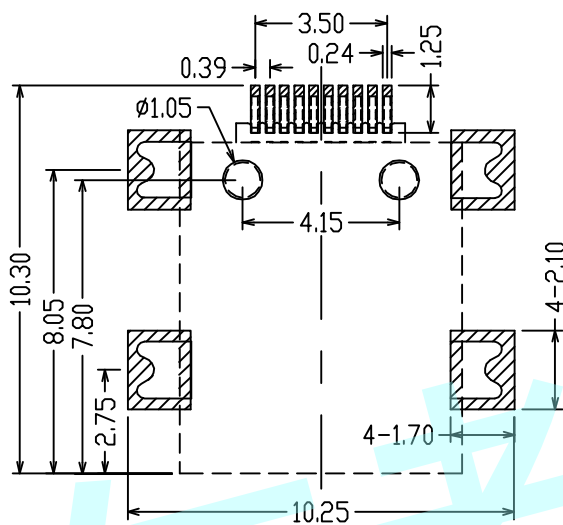
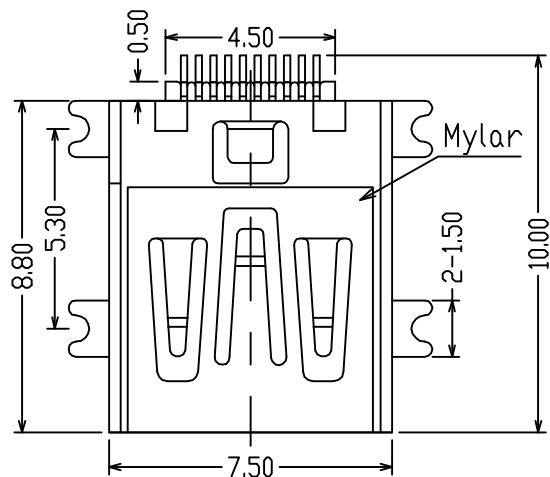
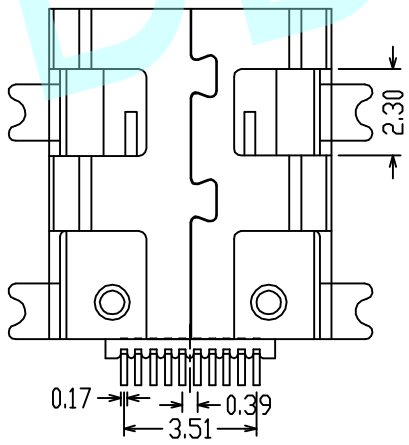
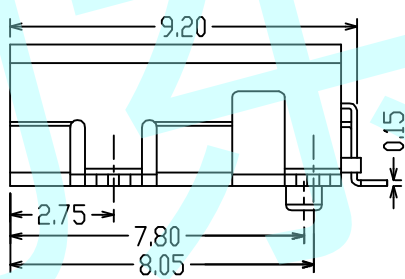
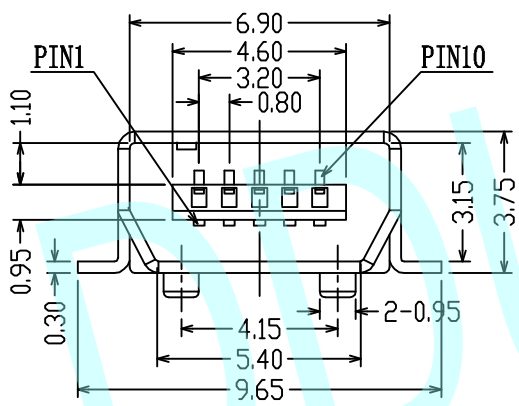


ROHS



PCB Layout (Pattern Side)




NOTES:

1. Rating: DC 30V 1A
2. Mechanical Life: 10,000 Cycles
3. Packaging: 1000PCS/Reel

APPROVALS		DATE	<a href="http://www.dongdudz.com">http://www.dongdudz.com</a>	
DRAW:	ZRD	2017-12-6	TOLERANCE:	ANGLE:
CHECKED:	***	***	30°	±0.30
APPOVALS:	***	***	10°30'	±0.20
			5°10'	±0.15
			≤5	±0.10

 <b>® 东都电子</b> DONGDU ELECTRONICS	
MODEL:	USB CONNECTOR
PART NO:	MICRO USB-M-02
UNIT :mm	SCALE:1:1
REV:	A