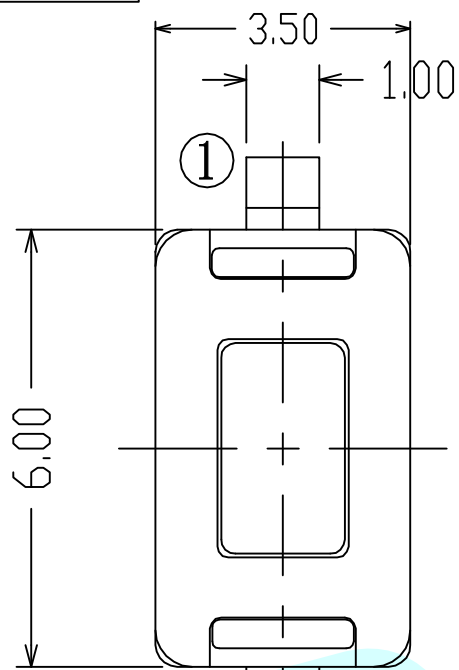


ROHS

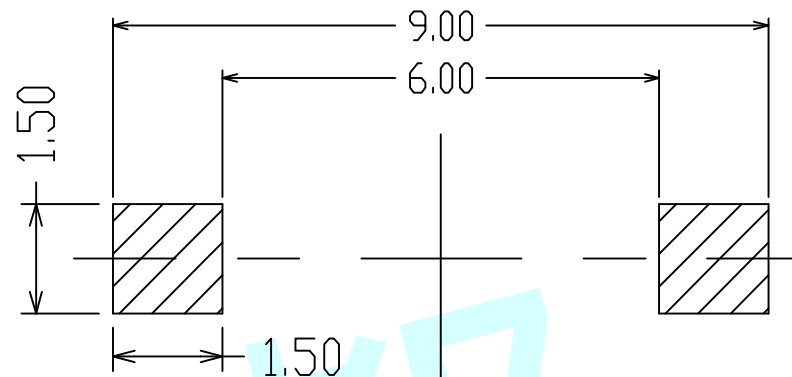


②

0.30
Max

2.90

L ±0.20



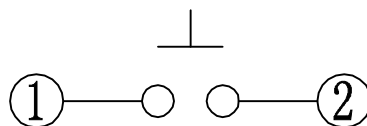
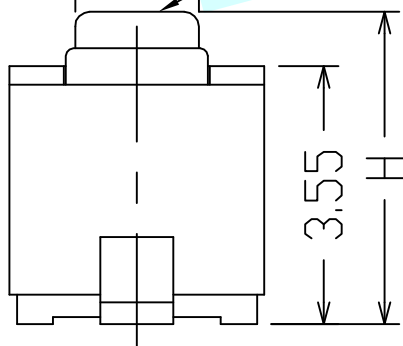
PCB Layout

NOTES :

1. Rating :DC 12V 50mA.
2. Contact resistance:100mΩ max
3. Insulation resistance: 100MΩ min
4. Service temperature: -25℃~+85℃
5. Travel: 0.30±0.10mm

Travel
0.30±0.10

1.70



Circuit Diagram

L	8.00	8.50	
H	4.30	5.00	6.00

APPROVALS		DATE	http://www.dongdudz.com	
DRAW:	ZRD	2017-12-6	TOLERANCE:	ANGLE:
CHECKED:	***	****	30° ≥ ±0.30	±2°
APPOVALS:	***	****	10°~30 ±0.20	
			5°~10 ±0.15	
			≤5 ±0.10	
		® 东都电子 DONGDU ELECTRONICS		
MODEL:	TACT SWITCHES			
PART NO:	DDU-1140			
UNIT :mm	SCALE: 1:1			
REV:	A	PAGE: 1/1		