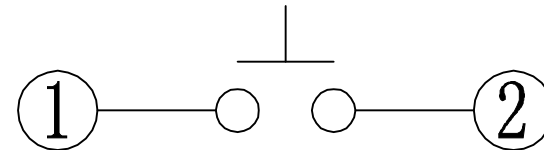
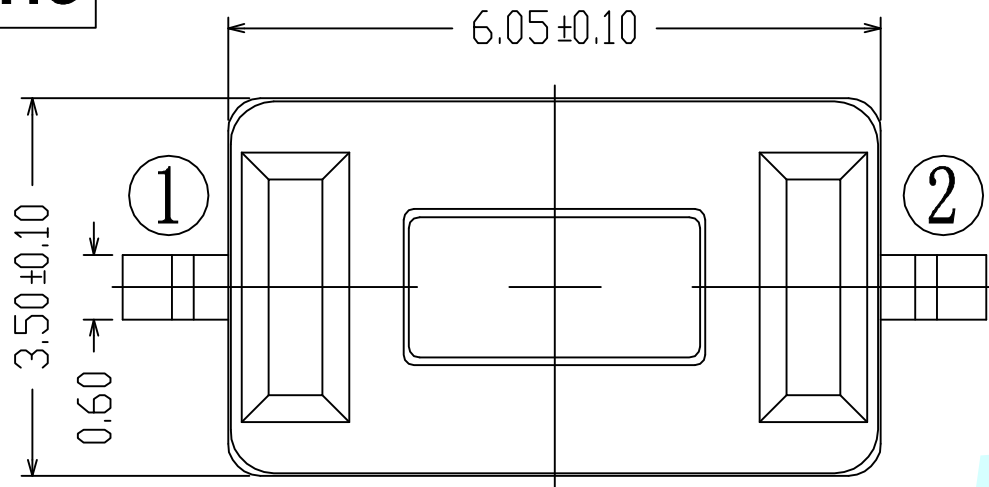
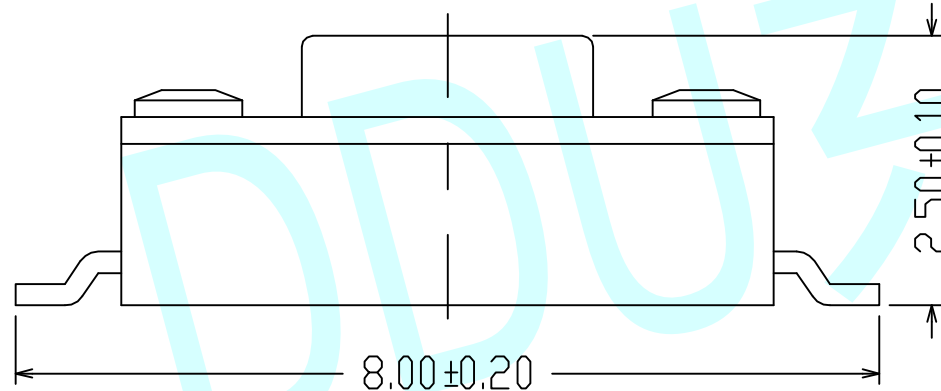


ROHS

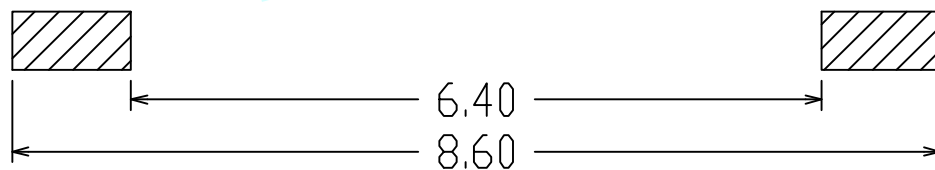


Circuit Diagram


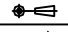


NOTES :

1. Rating :DC 12V 50mA.
2. Contact resistance:100mΩ max
3. Insulation resistance: 100MΩ min, 100V DC
4. Service temperature: -25°C~+85°C
5. Travel: 0.20±0.05mm



PCB Layout

APPROVALS		DATE	http://www.dongdudz.com	
DRAW:	ZRD	2017-12-6	TOLERANCE:	ANGLE:
CHECKED:	***	****	30° ≥ ±0.30	±2°
APPOVALS:	***	****	10°~30 ±0.20	
			5°~10 ±0.15	
			≤5 ±0.10	
				 ® 东都电子 DONGDU ELECTRONICS
				MODEL: TACT SWITCHES PART NO: DDU-1141 UNIT :mm SCALE: 1:1
				REV: A
				 PAGE: 1/1