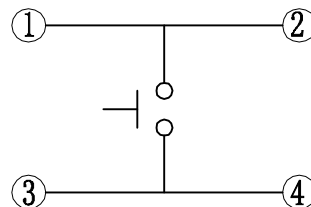
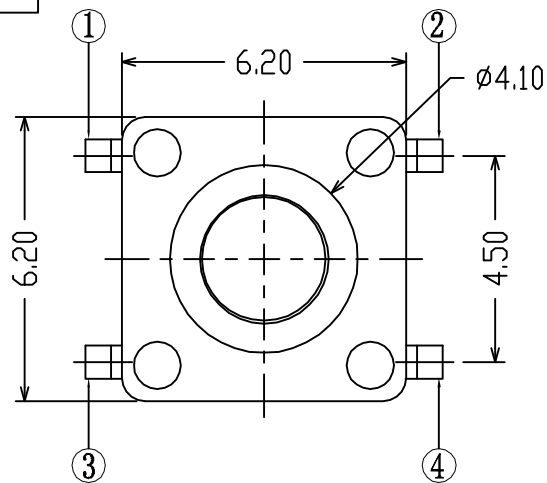
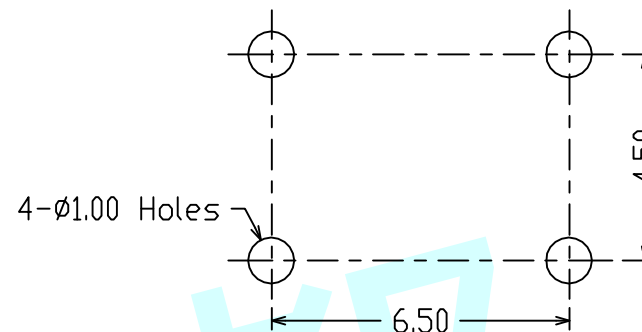


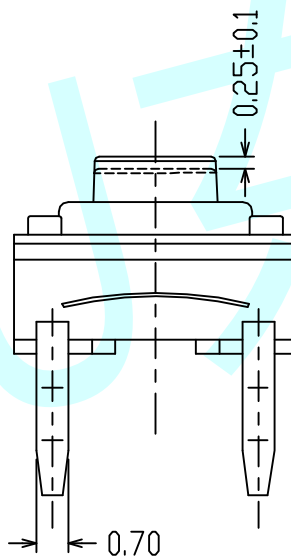
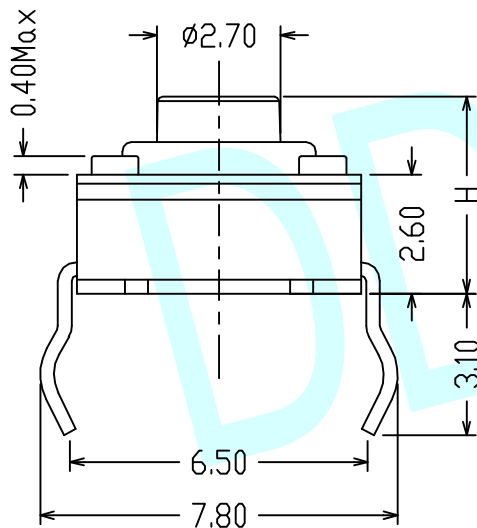
ROHS



Circuit Diagram




PCB Layout (Pattern Side)



Typical Specifications :

1. Rating :DC 12V 50mA
2. Contact Resistance: $\leq 100m\Omega$
3. Insulation Resistance : $\geq 100m\Omega$ DC 250V
4. Travel : $0.25 \pm 0.1mm$
5. Life :500,000 Cycles
6. Ip Rating :IP66

		H		4.30		5.00		7.00	
APPROVALS		DATE		http://www.dongdudz.com		±2°		 ® 东都电子 DONGDU ELECTRONICS	
DRAW:	ZRD	2017-12-6		TOLERANCE:					
CHECKED:	***	****		30° ± 0.30					
APPOVALS:	***	****		10°30' ± 0.20					
				5°10' ± 0.15		MODEL:		TACT SWITCHES	
				≤ 5 ± 0.10		PART NO:		DDU-1179	
						UNIT :mm		SCALE:1:1	
						REV:		A	
								PAGE:1/1	