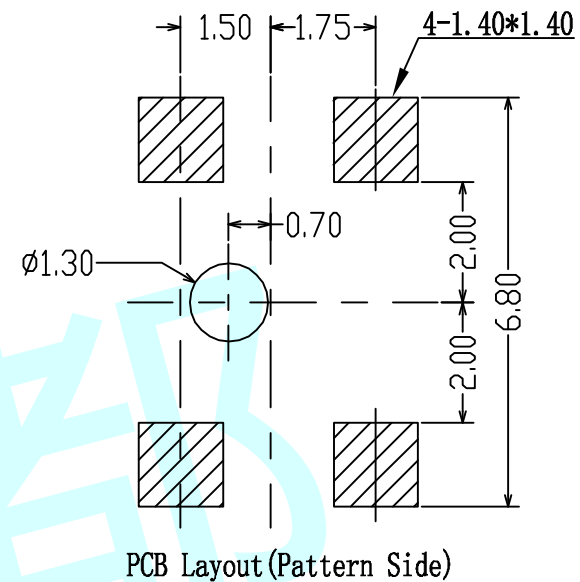
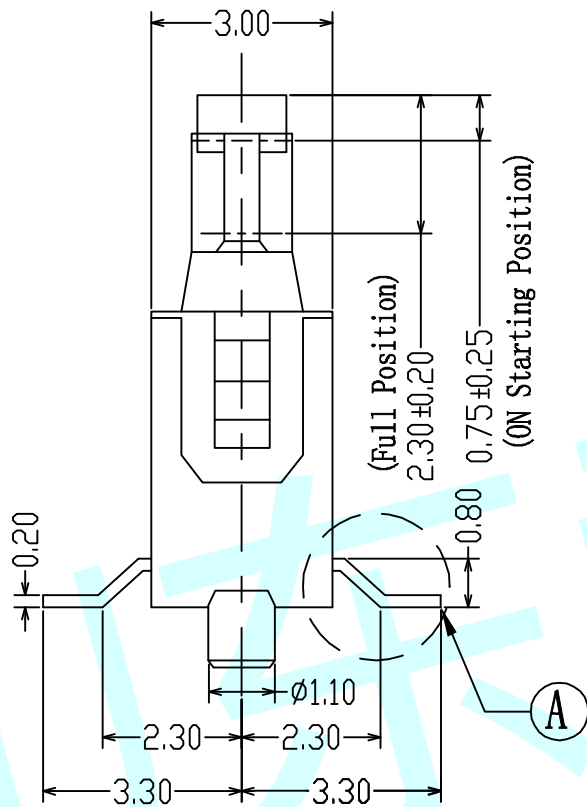
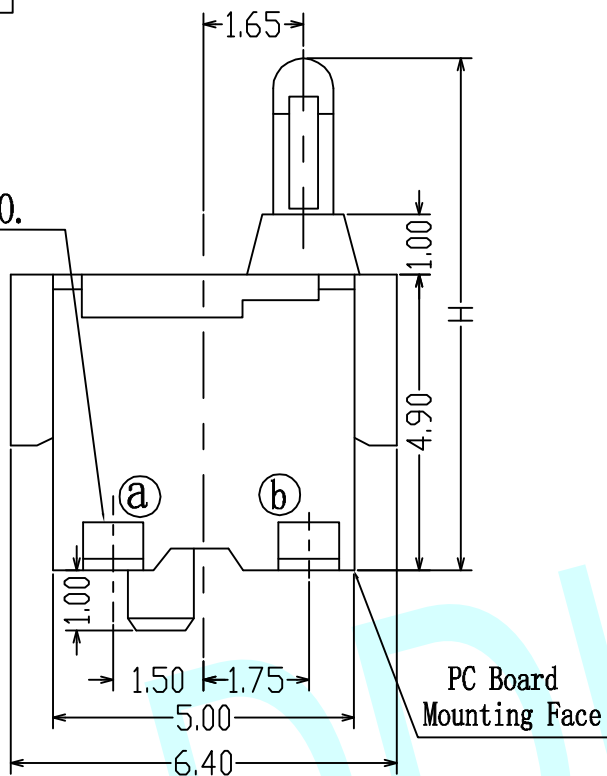


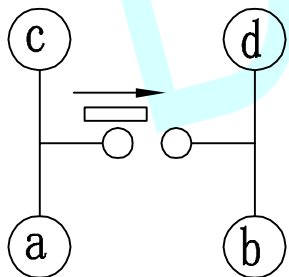
ROHS

Terminal NO.

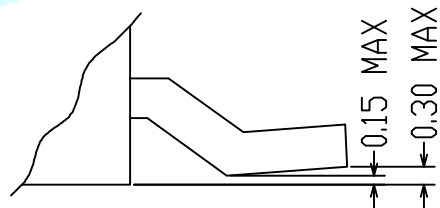


NOTES:


1. Rating: DC 30V 0.1A
2. Operating Force:  $40 \pm 10$ gf
3. Life time: 100,000 Cycles



Circuit Diagram



Detail of A (SCALE:2:1)

H		8.50	11.00	12.30	13.70
APPROVALS		DATE	<a href="http://www.dongdudz.com">http://www.dongdudz.com</a>		
DRAW:	ZRD	2017-12-6	TOLERANCE:	ANGLE:	
CHECKED:	***	****	30° ≥ ±0.30	±2°	
APPOVALS:	***	****	10°~30 ±0.20		
			5°~10 ±0.15		
			≤5 ±0.10		
				 <b>东都电子</b> DONGDU ELECTRONICS	
				MODEL:	DETECTOR SWITCHS
				PART NO:	DDU-1651
				UNIT :mm	SCALE:1:1
				REV:	A
				PAGE:1/2	