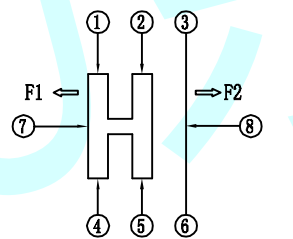
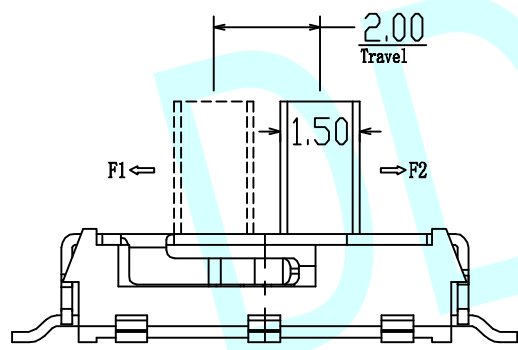
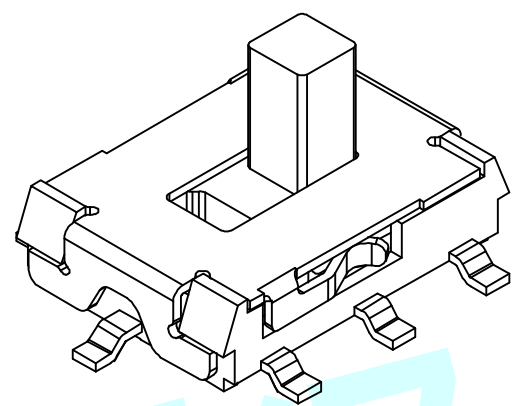
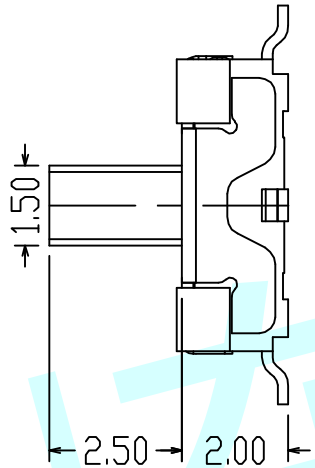
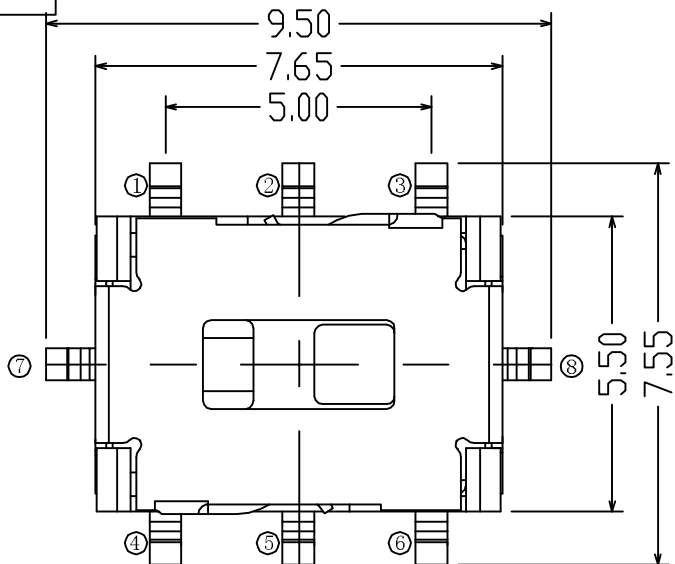
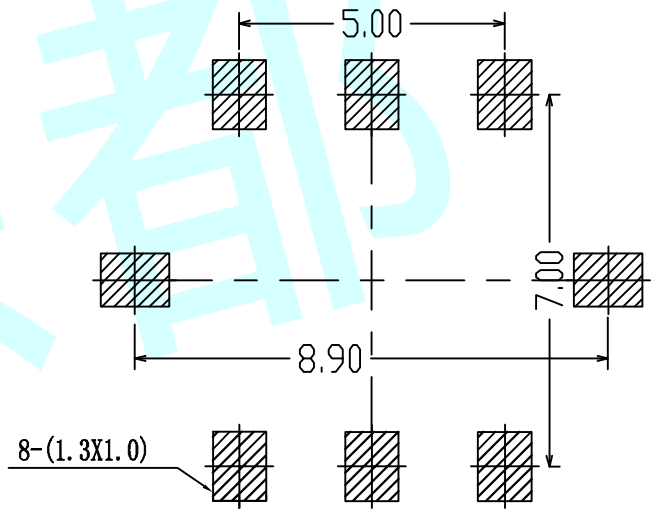


ROHS



	1	2	3	4	5	6	7	8
F1	●	●		●	●		●	
F2		●	●		●	●		●


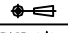
Circuit Diagram



PCB Layout (Pattern Side)

NOTES:

1. Rating:DC 12V 50mA
2. Contact Resistance:≤50mΩ
3. Insulation Resistance:DC 500V 1Minute
4. Operating Temperature Range:-25℃+80℃
5. Ambient Humidity Used:≤85%RH
6. Operating Force:200gf±150gf
7. Operating Life:10,000 Cycles

APPROVALS		DATE	http://www.dongdudz.com		 东都电子 DONGDU ELECTRONICS
DRAW:	ZRD	2017-12-6	TOLERANCE:	ANGLE:	
CHECKED:	***	***	30°	±0.30	±2°
APPOVALS:	***	***	10°30'	±0.20	
			5°10'	±0.15	
			≤5	±0.10	
MODEL:	TOGGLE SWITCHES		UNIT :mm	SCALE:1:1	
PART NO:	DDU-1414S		REV:	A	PAGE:1/1