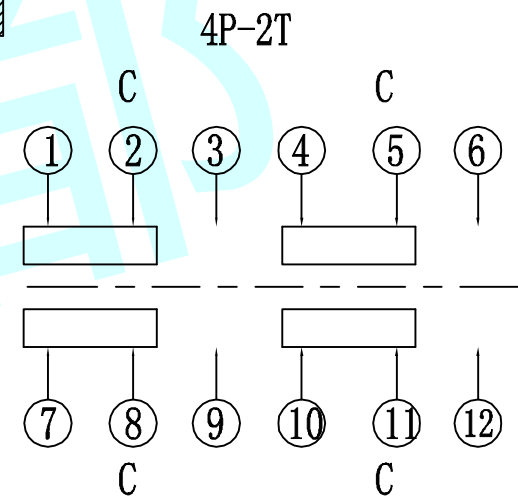
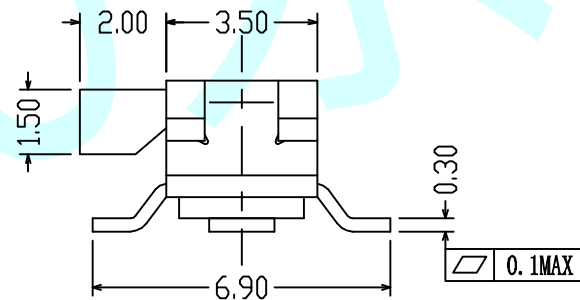
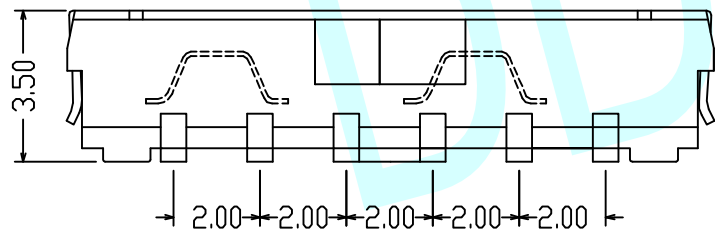
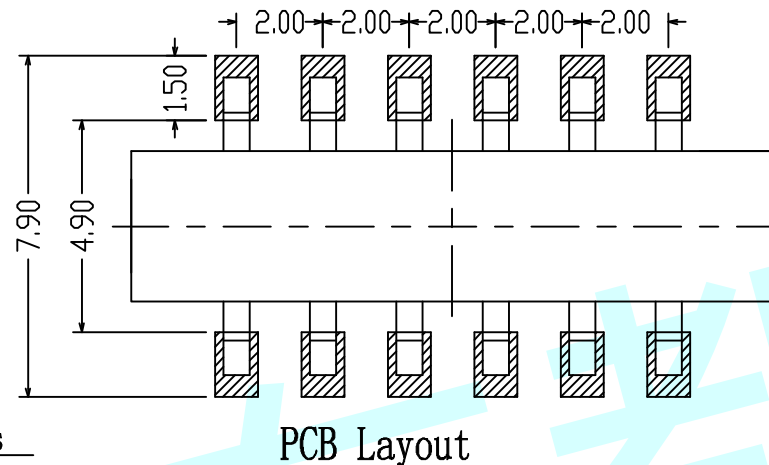
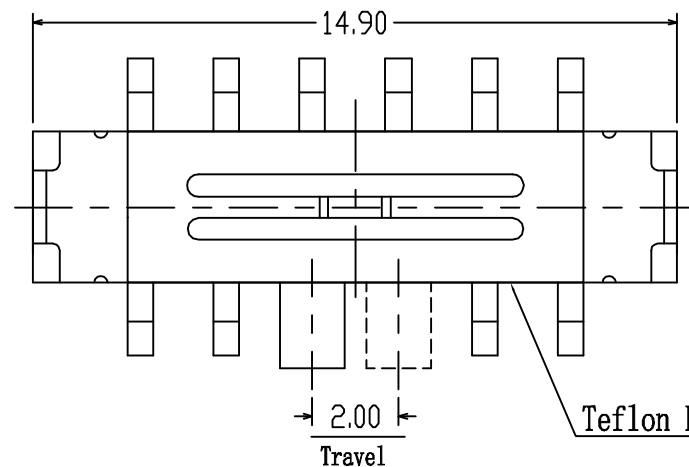



ROHS



Circuit Diagram

NOTES:
1. Operating Force: 200 ± 50 gf

APPROVALS		DATE	http://www.dongdudz.com		 ® 东都电子 DONGDU ELECTRONICS
DRAW:	ZRD	2017-12-6	TOLERANCE:	ANGLE:	
CHECKED:	***	***	30°	±0.30	±2°
APPOVALS:	***	***	10°30'	±0.20	
			5°10'	±0.15	
			≤5	±0.10	
MODEL:	TOGGLE SWITCHES				
PART NO:	DDU-1413S				
UNIT :mm	SCALE: 1:1				
REV:	A			PAGE: 1/1	