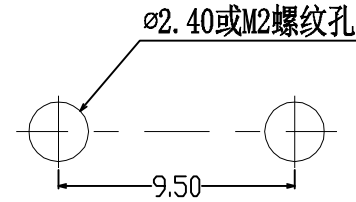
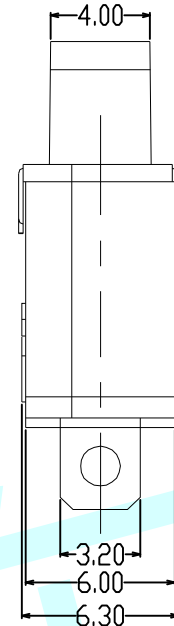
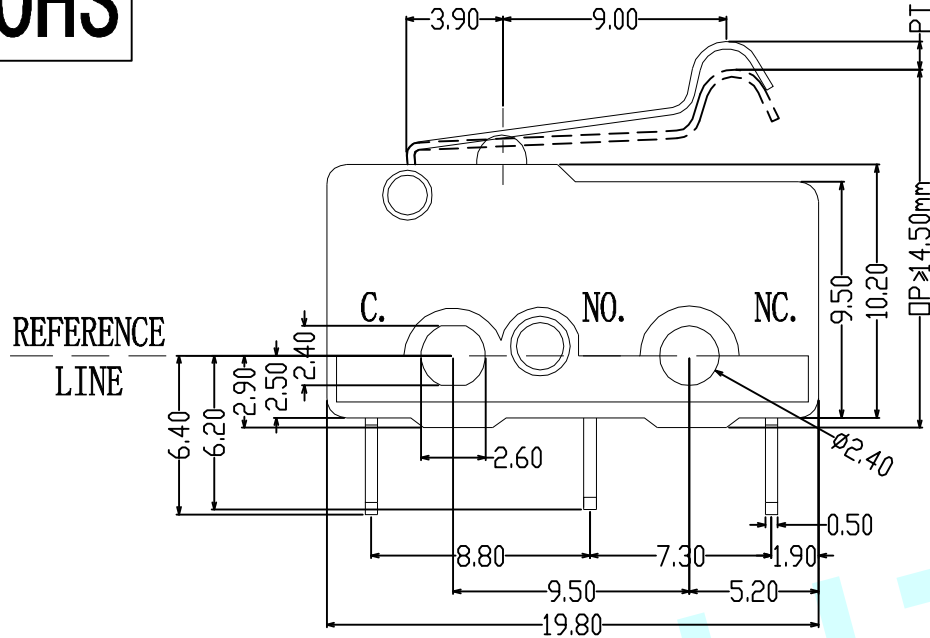
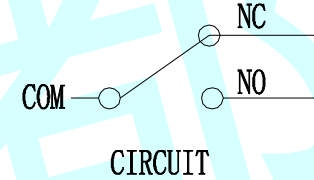
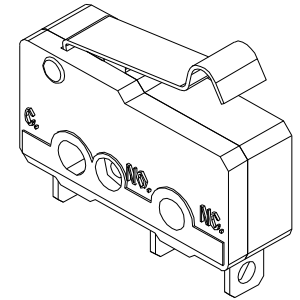


ROHS



PCB LAYOUT


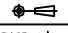


CIRCUIT

NOTES:

1. Rating:  3A 250V AC  5A 125A AC  10A 125A AC
2. Contact resistance: 50mΩ max
3. Insulation resistance: 100MΩ 500V AC for 1minute
4. Dielectric strength: 1500V AC(50/60Hz) for 1minute
5. Life test: 100,000 cycles
6. Operation force: 120gf max
7. OP: ≥14.50mm
8. Operating temperature range: -25℃~+85℃

|      |               |              |       |
|------|---------------|--------------|-------|
| 11   | Contact       | SILVER COLLY | 1     |
| 10   | Rivet         | Al           | 1     |
| 9    | Leaver        | SUS          | 1     |
| 8    | Spring        | SUS          | 1     |
| 7    | Contact Plate | C5210        | 1     |
| 6    | NC Terminal   | C1100        | 1     |
| 5    | NO Terminal   | C1100        | 1     |
| 4    | COM Terminal  | H65 (C2680)  | 1     |
| 3    | Konb          | POM          | 1     |
| 2    | Housing       | PA/PBT       | 1     |
| 1    | Cover         | PA/PBT       | 1     |
| ITEM | PART NAME     | MARETIAL     | Q' TY |

|           |                |   |   |        |
|-----------|----------------|---|---|--------|
| APPROVALS |                | DATE  | http://www.dongdudz.com   |        |
| DRAW:     | ZRD            | 2017-12-6   | TOLERANCE:  | ANGLE: |
| CHECKED:  | ***            | ****  | 30≥ ±0.30   | ±2°    |
| APPOVALS: | ***            | ****  | 10~30 ±0.20   |        |
|           |                |   | 5~10 ±0.15  |        |
|           |                |   | ≤5 ±0.10  |        |
|           |                |   |  <b>® 东都电子</b><br>DONGDU ELECTRONICS |        |
| MODEL:    | MICRO SWITCHES |   |   |        |
| PART NO:  | DDU-1735       |   |   |        |
| UNIT :mm  | SCALE: 1:1     |  |   |        |
| REV:      | A              | PAGE: 1/1   |   |        |