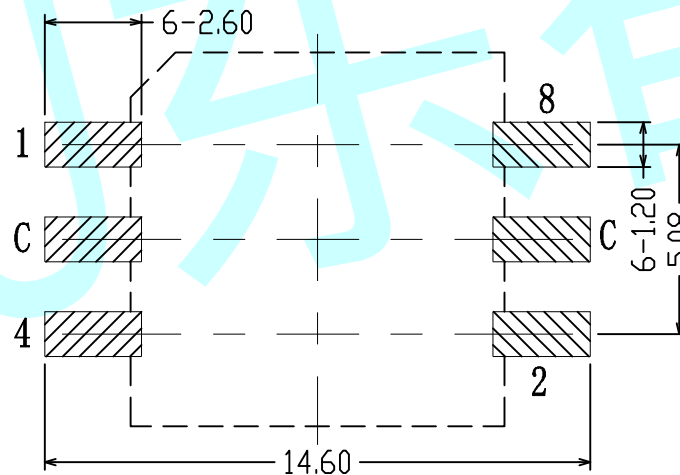
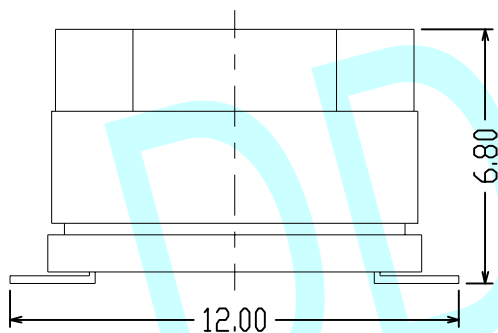
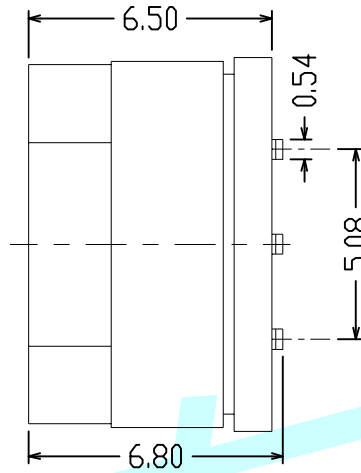
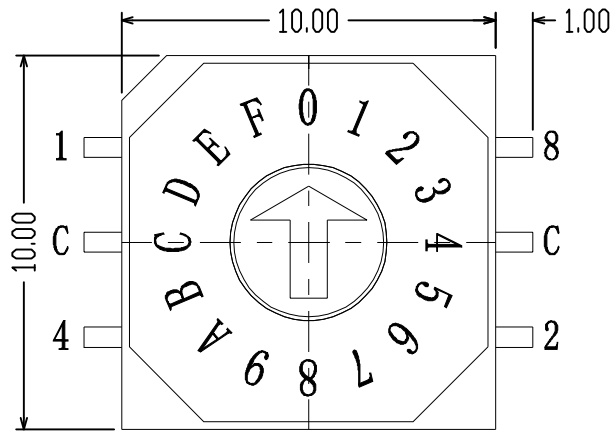




ROHS



PCB LAYOUT

		Real Code				
		C	1	2	4	8
10 P o s i t i o n	0	●				
	1	●	●			
	2	●		●		
	3	●	●	●		
	4	●			●	
	5	●	●		●	
	6	●		●	●	
	7	●	●	●	●	
	8	●				●
	9	●	●			●
16 P o s i t i o n	A	●		●		●
	B	●	●	●		●
	C	●			●	●
	D	●	●		●	●
	E	●		●	●	●
	F	●	●	●	●	●

APPROVALS		DATE	http://www.dongdudz.com	
DRAW:	ZRD	2017-12-6	TOLERANCE:	ANGLE:
CHECKED:	***	****	30° ≥ ±0.30	±2°
APPOVALS:	***	****	10°30 ±0.20	
			5°10 ±0.15	
			≤5 ±0.10	
		 ® 东都电子 DONGDU ELECTRONICS		1
MODEL:	DIP SWITCH			
PART NO:	DDU-16S			
UNIT :mm	SCALE:1:1			
REV:	A	PAGE:1/1		