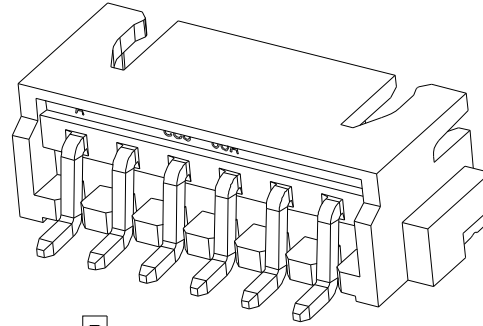
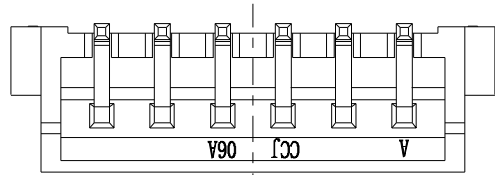
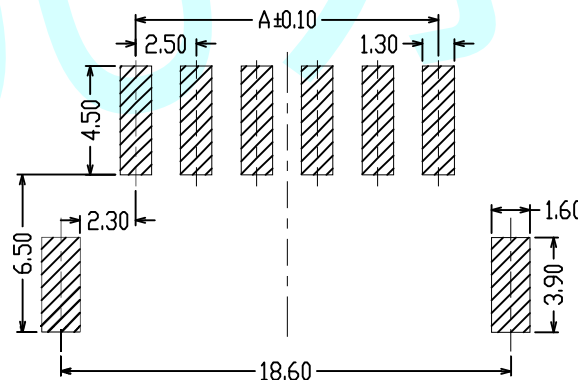
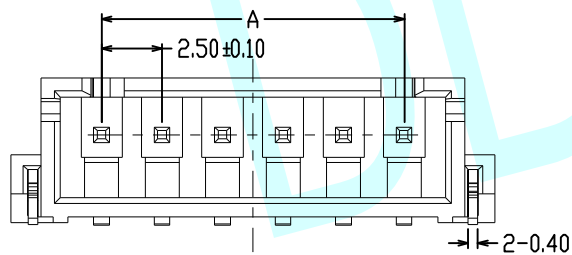
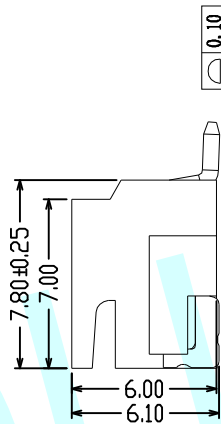
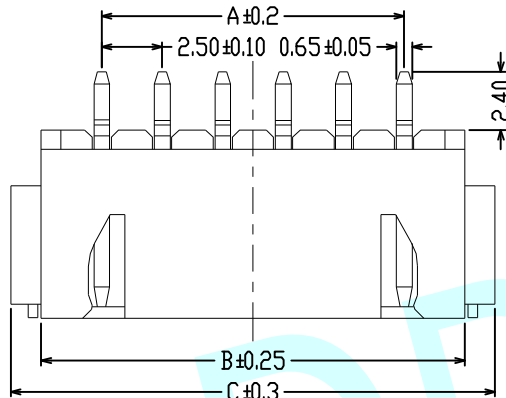


ROHS



SPECIFICATIONS:

1. Current rating: 3A AC/DC
2. Voltage rating: 250V AC/DC
3. Temperature range: -25°C ~ +85°C
4. Contact resistance: 30mΩ max
5. Insulation resistance: 100MΩ min
6. Withstanding voltage: 1000V AC/minute



PCB LAYOUT

Holes	Size (mm)		
	A	B	C
2	2.50	7.50	10.00
3	5.00	10.00	12.50
4	7.50	12.50	15.00
5	10.00	15.00	17.50
6	12.50	17.50	20.00
7	15.00	20.00	22.50
8	17.50	22.50	25.00
9	20.00	25.00	27.50
10	22.50	27.50	30.00
11	25.00	30.00	32.50
12	27.50	32.50	35.00
20	47.50	52.50	55.00

APPROVALS		DATE	http://www.dongdudz.com	
DRAW:	ZRD	2017-12-6	TOLERANCE:	ANGLE:
CHECKED:	***	***	30≥	±2°
APPOVALS:	***	***	10~30	
			5~10	
			≤5	
MODEL:		Connector		
PART NO:		2.54T-mP-TP		
UNIT :mm	SCALE:1:1	PAGE:1/1		
REV:	A			

