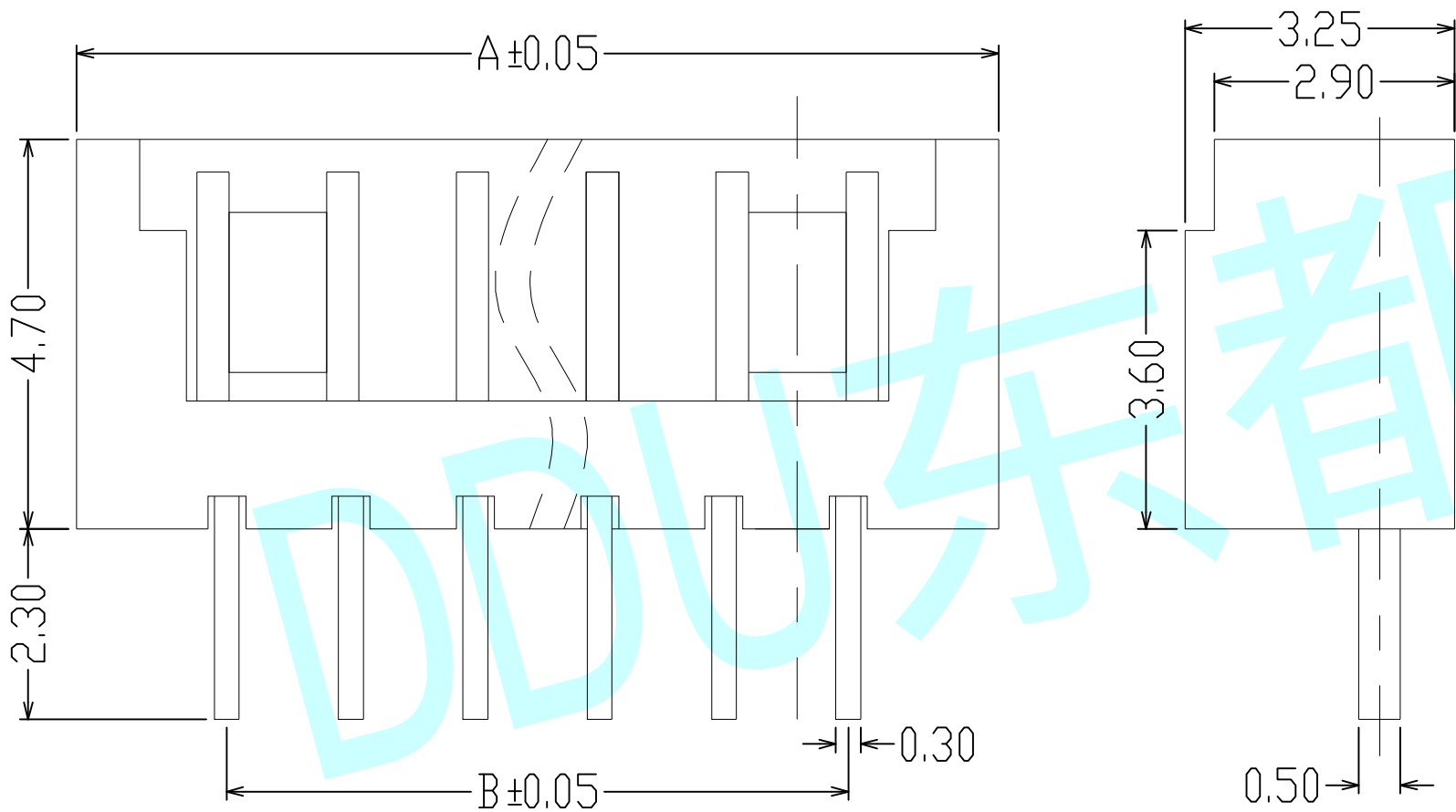

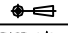


ROHS



14P	19.35	16.25
13P	18.10	15.00
12P	16.85	13.75
11P	15.60	12.50
10P	14.35	11.25
9P	13.10	10.00
8P	11.85	7.75
7P	10.60	7.50
6P	9.35	6.25
5P	8.10	5.00
4P	6.85	3.75
3P	5.60	2.50
2P	4.35	1.25
Pin No.	A	B

APPROVALS		DATE	http://www.dongdudz.com	
DRAW:	ZRD	2017-12-6	TOLERANCE:	ANGLE:
CHECKED:	***	****	30° ≥ ±0.30	±2°
APPOVALS:	***	****	10°~30 ±0.20	
			5°~10 ±0.15	
			≤5 ±0.10	
		 <b>® 东都电子</b> DONGDU ELECTRONICS		
MODEL:	Connector			
PART NO:	1.25T-nP-KK-Z			
UNIT :mm	SCALE: 1:1			
REV:	A	PAGE: 1/1		