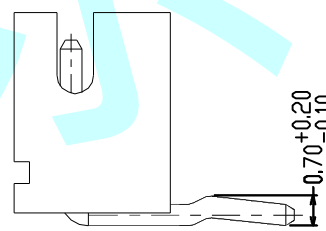
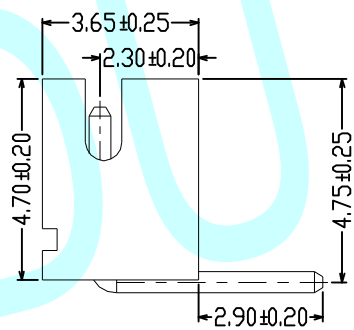
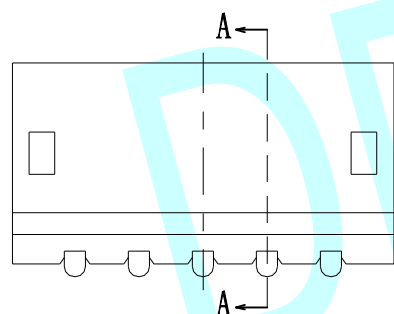
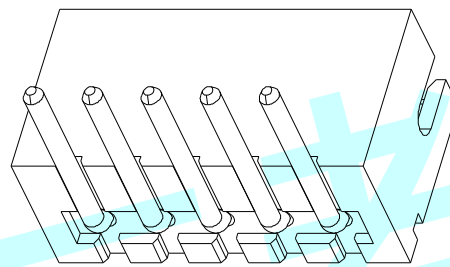
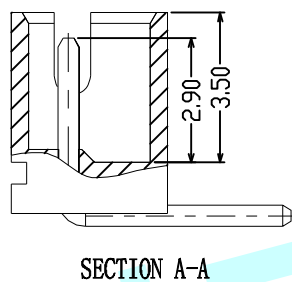
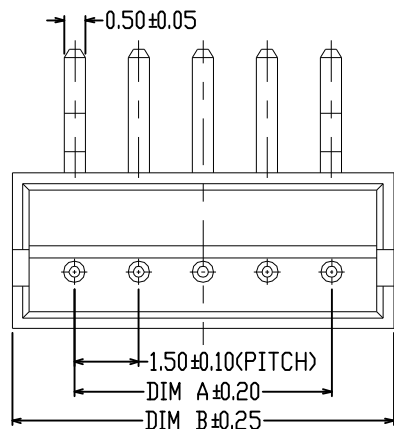


ROHS

序号	名称	材质
1	ZH1.5直针WTB胶芯	PA66 UL94V-0米色/白色
2	ZH1.5弯针WTB胶芯	铜合金/表面镀锡

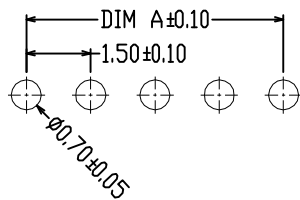


TYPE 1(无K脚)

TYPE 2(打K脚)

NOTES:


1. Rated voltage: AC 100V
2. Rated current: AC /DC 1A
3. Contact resistance: 20mΩ max
4. Insulation resistance: 500MΩ min
5. Withstanding voltage: AC 500V 1minute
6. Temperature range: -25℃~+85℃



PCB LAYOUT

20	28.50	31.50
19	27.00	30.00
18	25.50	28.50
17	24.00	27.00
16	22.50	25.50
15	21.00	24.00
14	19.50	22.50
13	18.00	21.00
12	16.50	19.50
11	15.00	18.00
10	13.50	16.50
9	12.00	15.00
8	10.50	13.50
7	9.00	12.00
6	7.50	10.50
5	6.00	9.00
4	4.50	7.50
3	3.00	6.00
2	1.50	4.50
CKT	DIM A	DIM B

APPROVALS		DATE	http://www.dongdudz.com	
DRAW:	ZRD	2017-12-6	TOLERANCE:	ANGLE:
CHECKED:	***	****	30≥	±0.30
APPOVALS:	***	****	10°30	±0.20
			5°10	±0.15
			≤5	±0.10


东都电子
 DONGDU ELECTRONICS

MODBL: Connector
 PART NO: 1.5T-nP-W
 UNIT :mm SCALE: 1:1
 REV: A PAGE: 1/1