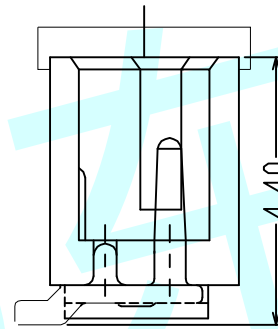
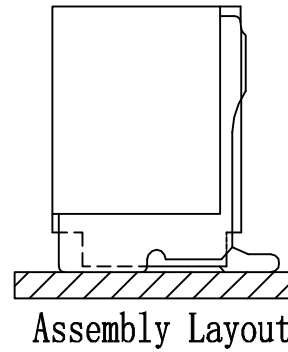
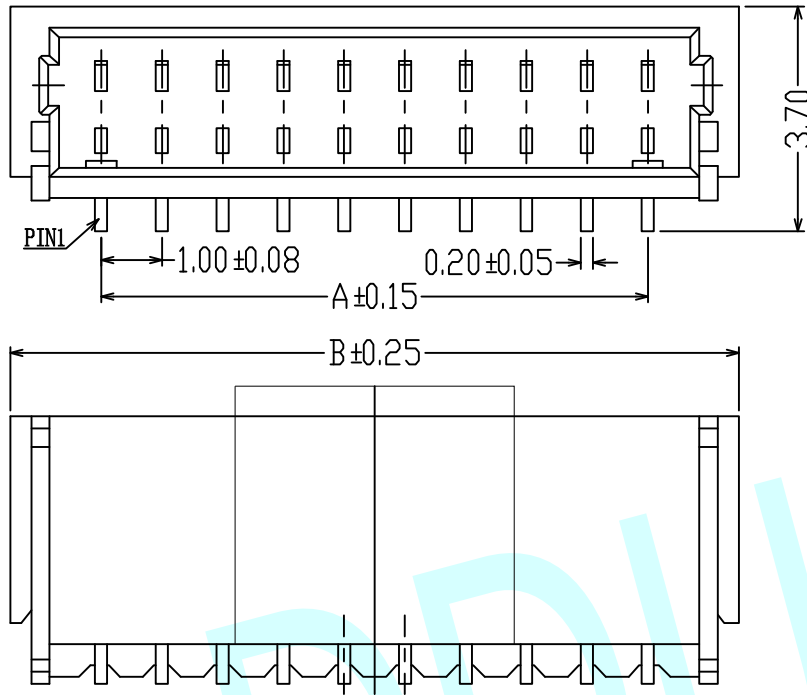
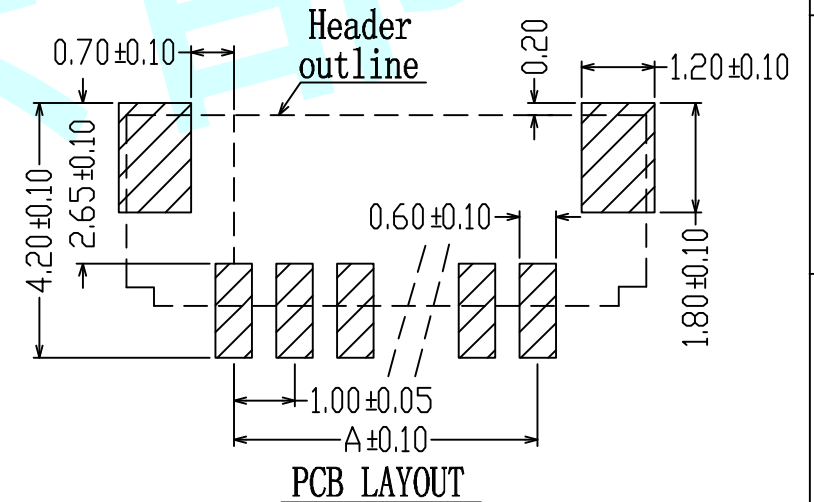


# ROHS



### SPECIFICATIONS:


1. Voltage rating:50V AC/DC
- 2 Current rating:1A AC/DC
3. Withstanding voltage:500V AC/minute
4. Temperature range:-25°C~+85°C
5. Insulation resistance:≥100MΩ
6. Contact resistance:≤20mΩ
7. After environmental testing:≤40mΩ
8. Material (Pin And Solder Tabs):Brass
9. Finish (Solder Tabs):Matte Tin Plating
10. Welding board angle:V-180°
11. Welding way:S-SMT
12. Material:L0-LCP 94V-0
13. Color:Blank-Natural color



10	9.00	12.00			
09	8.00	11.00	20	19.00	22.00
08	7.00	10.00	18	17.00	20.00
07	6.00	9.00	16	15.00	18.00
06	5.00	8.00	15	14.00	17.00
05	4.00	7.00	14	13.00	16.00
04	3.00	6.00	13	12.00	15.00
03	2.00	5.00	12	11.00	14.00
02	1.00	4.00	11	10.00	13.00
Poles	A	B	Poles	A	B
	Dimensions (mm)			Dimensions (mm)	

APPROVALS		DATE	http://www.dongdudz.com		
DRAW:	ZRD	2017-12-6	TOLERANCE:	ANGLE:	
CHECKED:	***	***	30≥	±0.30	±2°
APPOVALS:	***	***	10°30	±0.20	
			5°10	±0.15	
			≤5	±0.10	

 东都电子	
DONGDU ELECTRONICS	
MODEL:	Connector
PART NO:	1.0T-2P-WV
UNIT :mm	SCALE:1:1
REV:	A