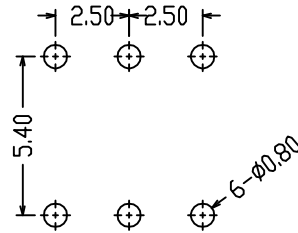
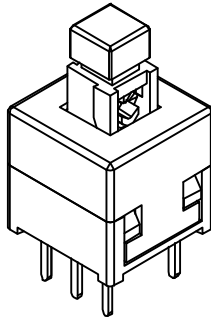
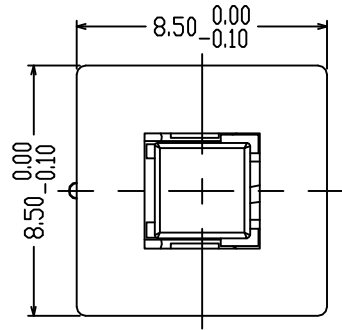
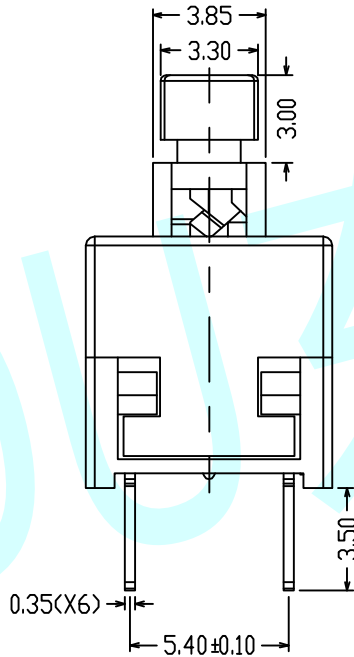
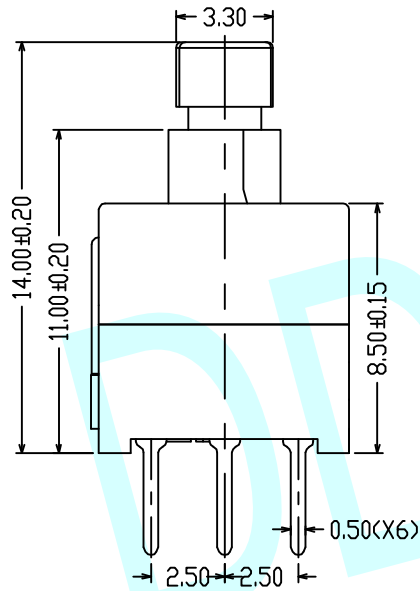


ROHS

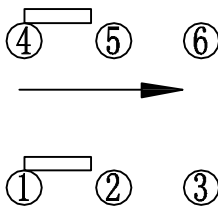
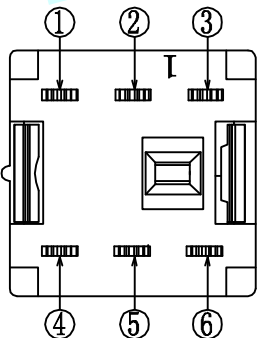


PCB Layout (Pattern Side)





NOTE:

1. Rated current: DC 30V 0.1A
2. Withstand voltage: AC 500V(50~60Hz)/1min
3. Contact resistance: 100mΩ MAX
4. Insulation resistance: 100MΩ MIN
5. Operating Force :240gf±80gf
6. Travel :2.4±0.2mm
7. Mechanical life: 10, 000 cycles



Circuit Diagram

APPROVALS		DATE	http://www.dongdudz.com	
DRAW:	ZRD	2017-12-6	TOLERANCE:	ANGLE:
CHECKED:	***	***	30 ≥ ±0.30	±2°
APPOVALS:	***	***	10~30 ±0.20	
			5~10 ±0.15	
			≤5 ±0.10	
			 <b>® 东都电子</b> DONGDU ELECTRONICS	
MODEL:		PUSHBUTTON SWITCHES		
PART NO:		DDU-1306		
UNIT :mm	SCALE:1:1			
REV:	A	PAGE:1/1		