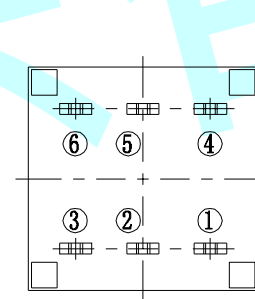
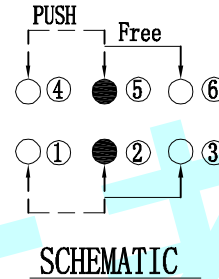
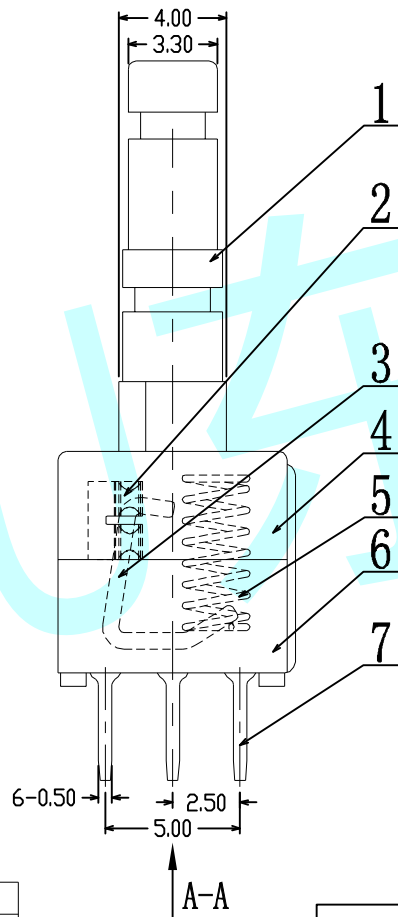
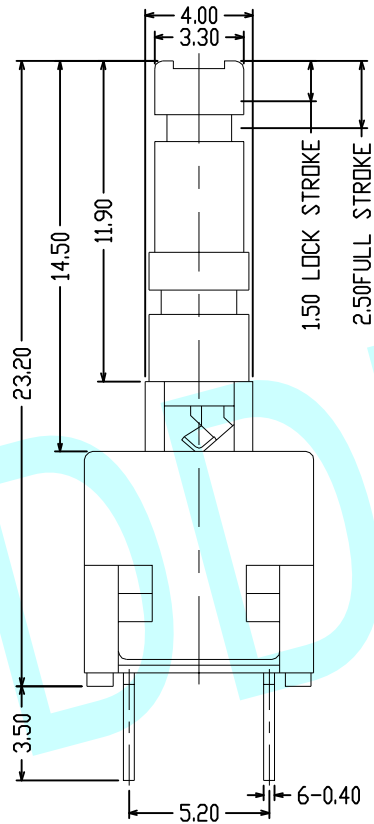
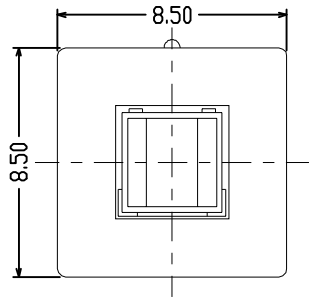
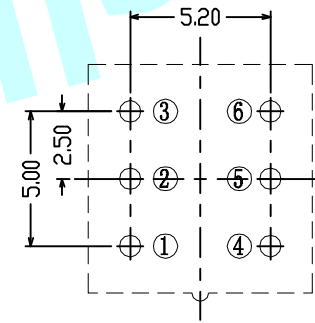


ROHS



A-A VIEW



PCB LAYOUT

7	TERMINAL	C2680R-EH	6	Ag PLATED
6	CASE	PBT	1	GREY
5	SPRING	SUS	1	NATURAL
4	COVER	POM	1	BLACK
3	CAM STICK	SUS	1	NATURAL
2	CONTACT	C5210R-EH	2	Ag CLAD
1	NOB	POM	1	WHITE
No.	PART NAME	MATERIAL	Q' TY	FINISHING

APPROVALS		DATE	http://www.dongdudz.com	
DRAW:	ZRD	2017-12-6	TOLERANCE:	ANGLE:
CHECKED:	***	****	30°	±0.30
APPOVALS:	***	****	10°30'	±0.20
			5°10'	±0.15
			≤5	±0.10
			±2°	
		东都电子 DONGDU ELECTRONICS		
MODEL:		PUSHBUTTON SWITCHES		
PART NO:		DDU-1317		
UNIT :mm	SCALE: 1:1			
REV:	A	PAGE: 1/1		