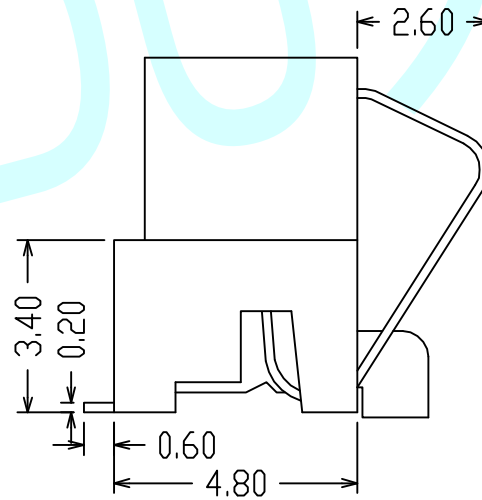
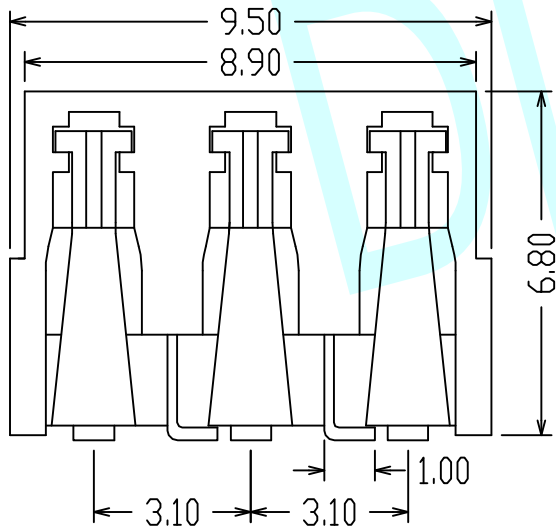
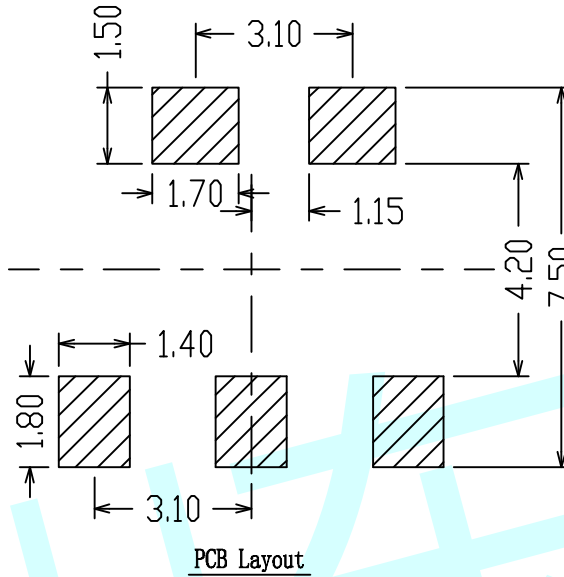
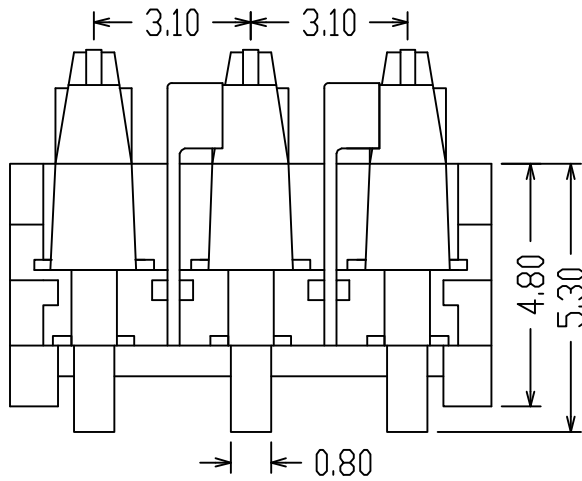



ROHS



NOTES:

1. Voltage Rating :250V AC Min
2. Current Rating :2.0A Min
3. Dielectric Strength :1000V AC For 1Minute
4. Insulation Resistance :1000MΩ Min
5. Contact Resistance :30mΩ Max
6. Operation Temperature :-55°C~+125°C
7. Product Withstanding Reflow Soldering :260°C For 15S
8. Durability :5000 Cycles
9. Normal Force At Working Position :80g Min
10. Insertion Force :>3N
11. Insertion :High Temperature Thermoplastic
UL 94V -0 Black(LCP Black)
12. Contact :Beryllium Copper, Gold Flash Over Nickel

APPROVALS		DATE	http://www.dongdudz.com	
DRAW:	ZRD	2017-12-6	TOLERANCE:	ANGLE:
CHECKED:	***	****	30° ≥ ±0.30	±2°
APPOVALS:	***	****	10°~30 ±0.20	
			5°~10 ±0.15	
			≤5 ±0.10	

 ® 东都电子 DONGDU ELECTRONICS	
MODEL:	BATTERY
PART NO:	BH-01-3P
UNIT :mm	SCALE:1:1
REV:	A
	PAGE:1/1