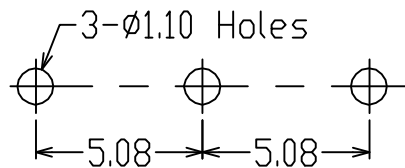
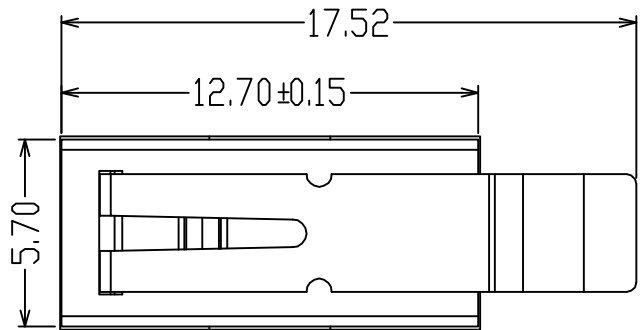
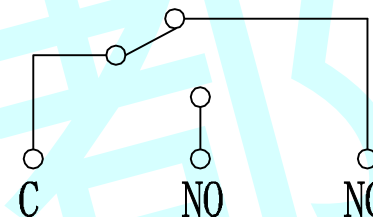
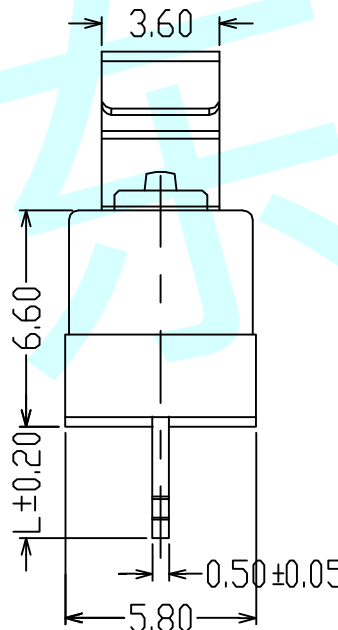
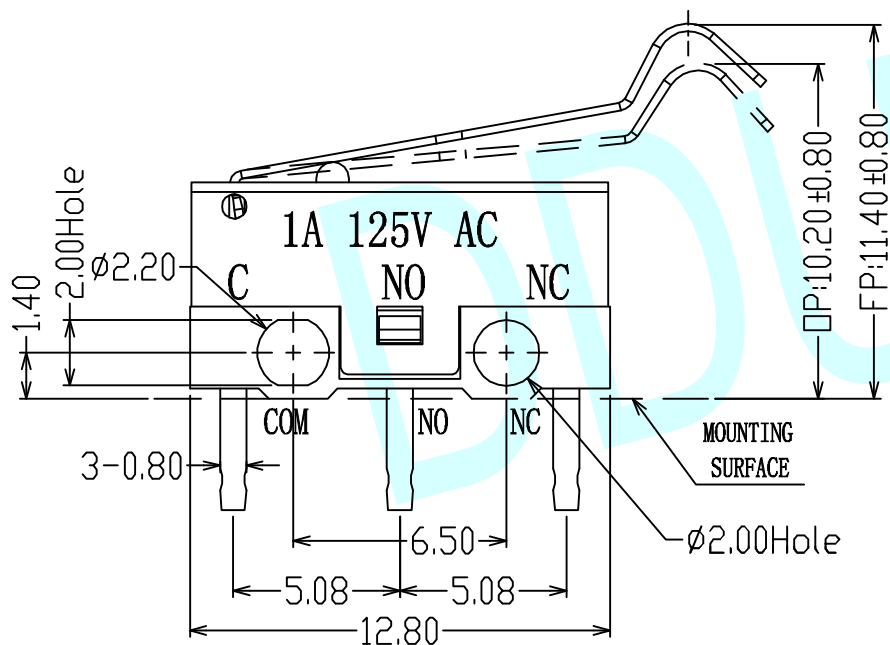
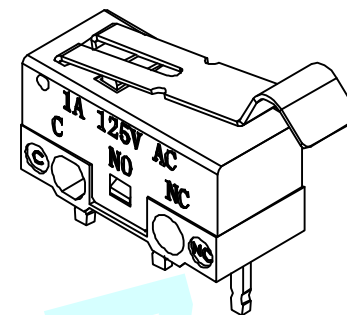


ROHS



PCB Layout



Circuit Diagram

NOTES:

1. Rating :DC 30V 0.1A
2. Operating Froce :30±15gf
3. OP:10.20±0.80mm

APPROVALS		DATE	http://www.dongdudz.com	
DRAW:	ZRD	2017-12-6	TOLERANCE:	ANGLE:
CHECKED:	***	****	30≥	±0.30
APPOVALS:	***	****	10°30	±0.20
			5°10	±0.15
			≤5	±0.10
			±2°	
				东都电子 DONGDU ELECTRONICS
MODEL:	MICRO SWITCHS			
PART NO:	DDU-1705			
UNIT :mm	SCALE:1:1			
REV:	A	PAGE:1/1		