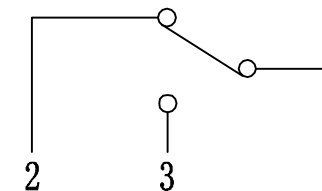
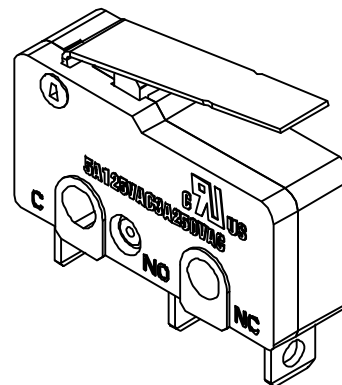
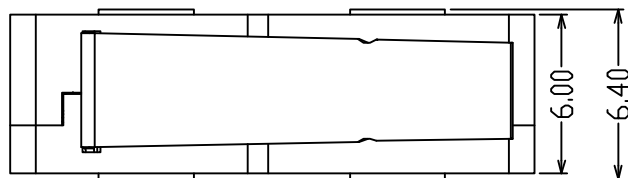
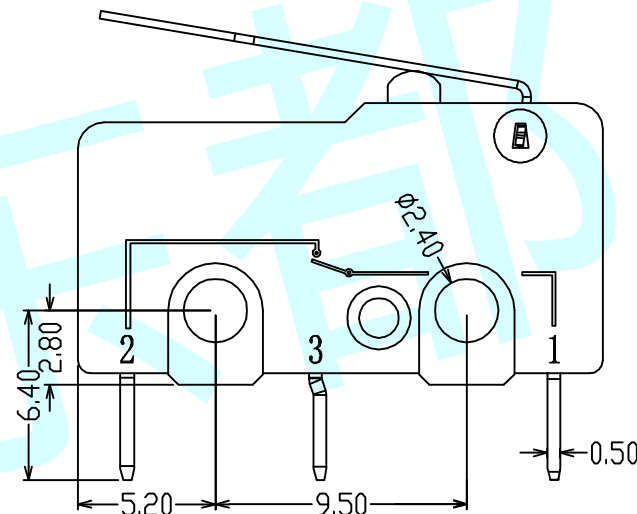
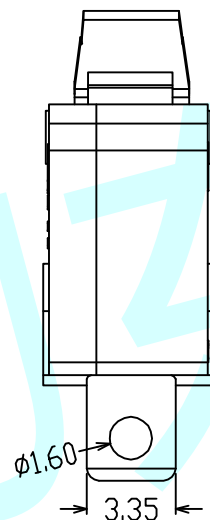
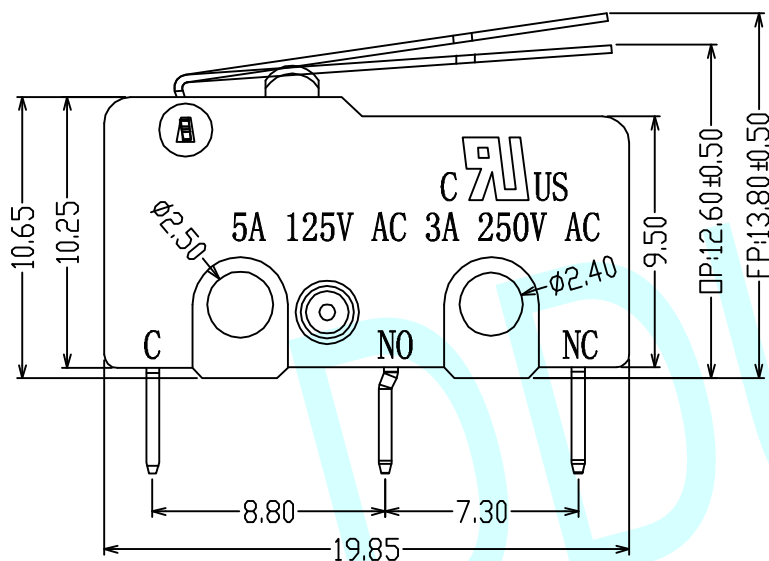


ROHS



Circuit Diagram



NOTES:

1. Rating :AC 125V 5A/250V 3A
2. Operating Froce : $30 \pm 10gf$
3. Electrical Life:6000~10,000 cycles

APPROVALS		DATE	http://www.dongdudz.com	
DRAW:	ZRD	2017-12-6	TOLERANCE:	ANGLE:
CHECKED:	***	****	30°	±2°
APPOVALS:	***	****	10°30'	
			5°10'	
			≤5	±0.10
			东都电子 DONGDU ELECTRONICS	
MODEL:	MICRO SWITCHS			
PART NO:	DDU-1707			
UNIT :mm	SCALE:1:1			
REV:	A	PAGE:1/1		