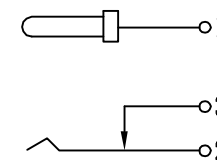
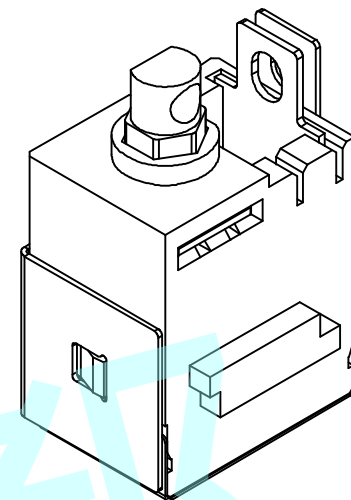
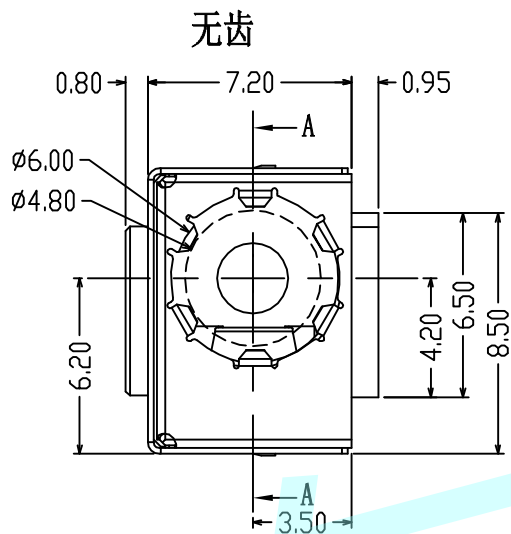
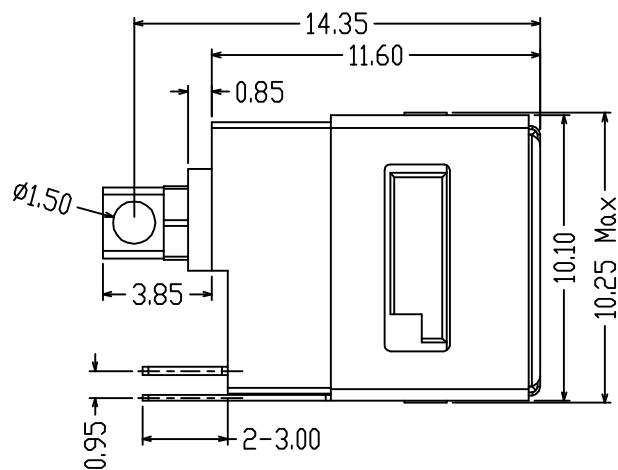


ROHS



CIRCUIT DIAGRAM

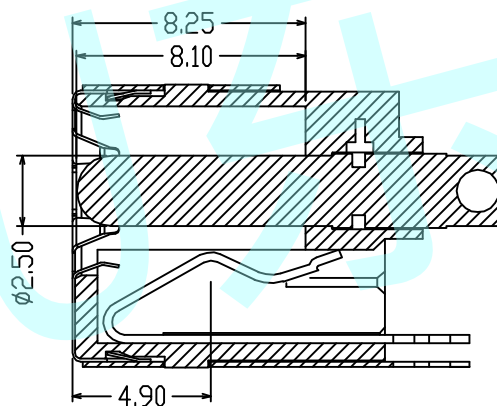
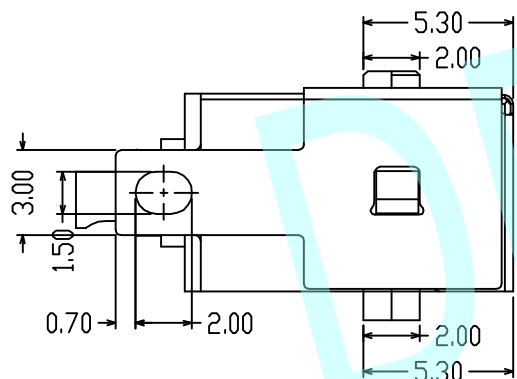
NOTES:

A. Electrical Characteristics :

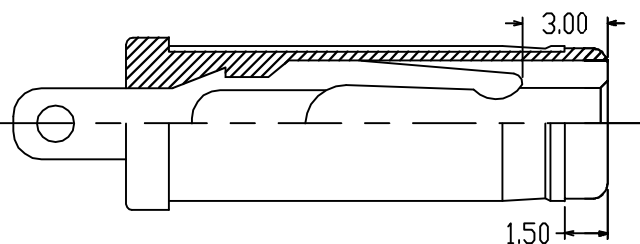
1. Rating :20V 7A Min
2. Contact Resistance:
50 Milliohms Max. For Initial,
80 Milliohms Max. After 5000 Cycles.
3. Insulation Resistance :100 Megaohms Min.
BY 500V DC After 1 Minute.
4. Dielectric Withstanding Voltage :500V
Rms After 1 Minute

B. Mechanical Characteristics :


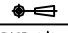
1. Insertion Force :0.3~3.0 KGF (2.94~29.4N)
2. Withdrawal Force :0.3~3.0 KGF (2.94~29.4N)
3. Lifef Tfst. 5000 Cycles Min



SECTION A-A



MATE PLUG ϕ 5.50

APPROVALS		DATE	http://www.dongdudz.com		 东都电子 DONGDU ELECTRONICS
DRAW:	ZRD	2017-12-6	TOLERANCE:	ANGLE:	
CHECKED:	***	***	30 \geq	\pm 0.30	\pm 2 $^{\circ}$
APPOVALS:	***	***	10 \sim 30	\pm 0.20	
			5 \sim 10	\pm 0.15	
			\leq 5	\pm 0.10	
MODEL:	DC POWER JACK		UNIT :mm	SCALE:1:1	 PAGE:1/1
PART NO:	DC-086		REV:	A	