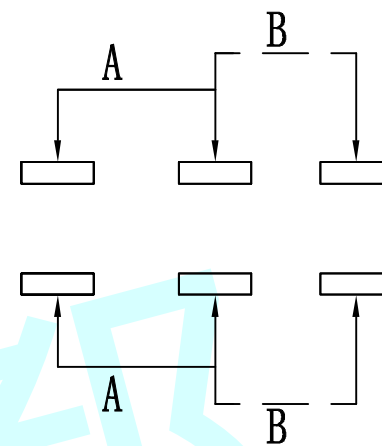
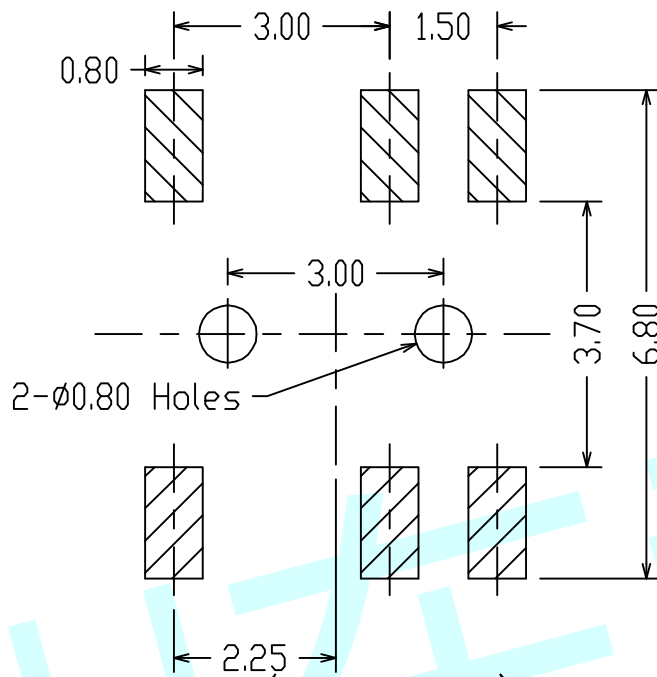
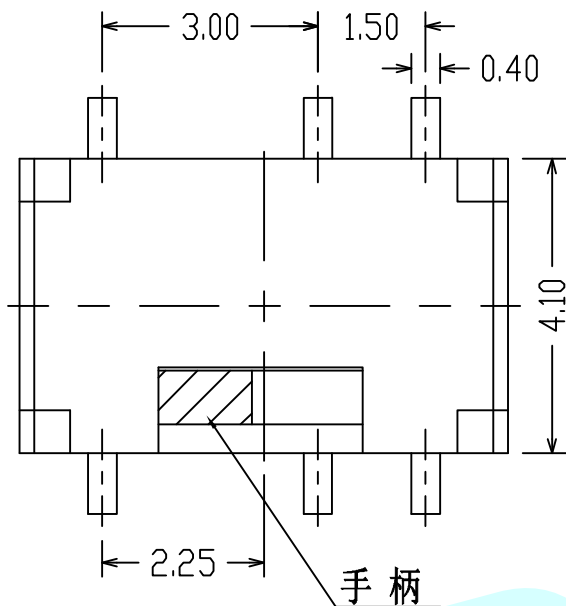
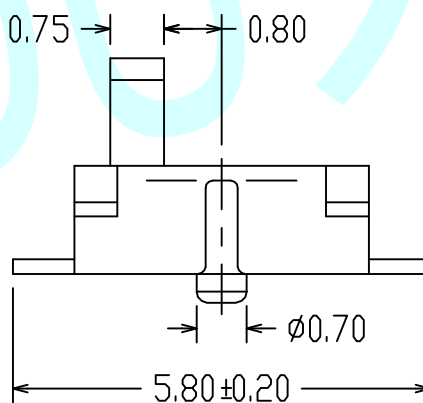
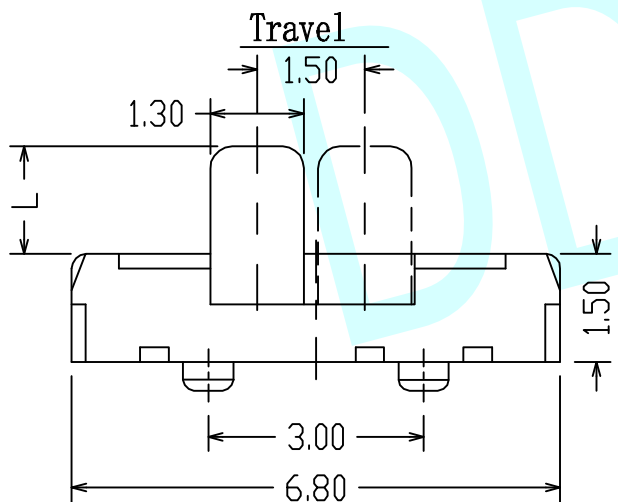



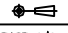
ROHS



Circuit Diagram



L	1.50	2.00
---	------	------

APPROVALS		DATE	http://www.dongdudz.com		
DRAW:	ZRD	2017-12-6	TOLERANCE:	ANGLE:	
CHECKED:	***	***	30°	±0.30	
APPOVALS:	***	***	10°30'	±0.20	
			5°10'	±0.15	
			≤5	±0.10	
			±2°		
		 ® 东都电子 DONGDU ELECTRONICS			
MODEL:		TOGGLE SWITCHES			
PART NO:		DDU-1416S			
UNIT :mm		SCALE:1:1			
REV:		A	PAGE:1/1		