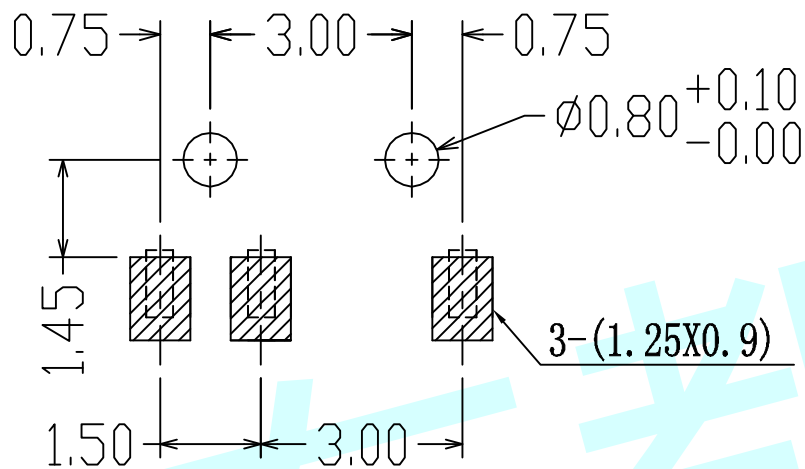
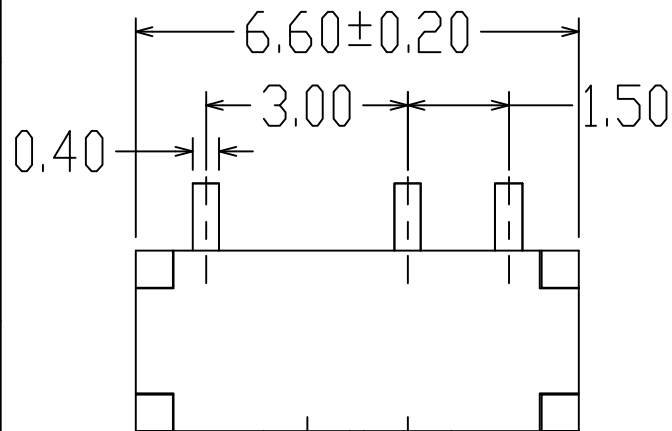
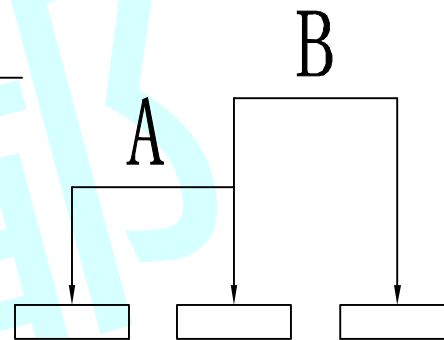


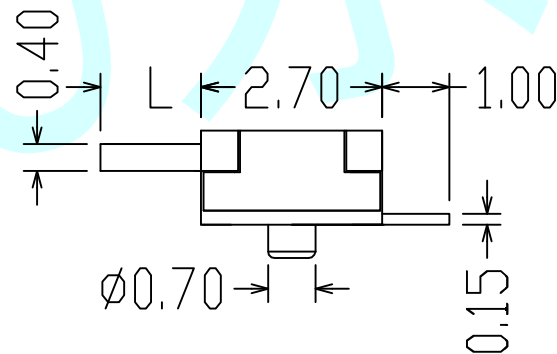
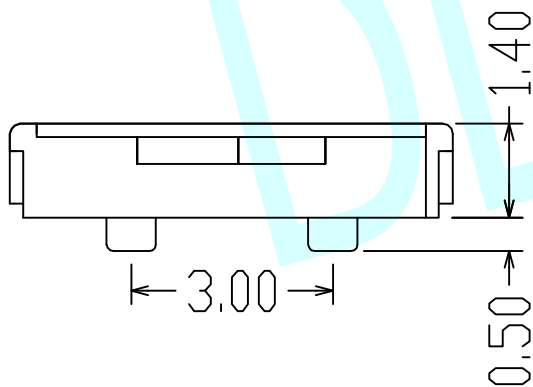
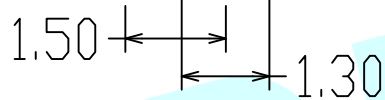
**ROHS**



PCB Layout (Pattern Side)




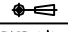
Circuit Diagram



NOTES:

1. Operating Force :  $160 \pm 50$ gf

L	1.50	2.30
---	------	------

APPROVALS		DATE	http://www.dongdudz.com		 <b>® 东都电子</b> DONGDU ELECTRONICS
DRAW:	ZRD	2017-12-6	TOLERANCE:	ANGLE:	
CHECKED:	***	***	30° ≥	±0.30	
APPOVALS:	***	***	10°~30	±0.20	
			5°~10	±0.15	
			≤5	±0.10	±2°
MODL:	TOGGLE SWITCHES		UNIT :mm	SCALE:1:1	
PART NO:	DDU-1446S		REV:	A	PAGE:1/1