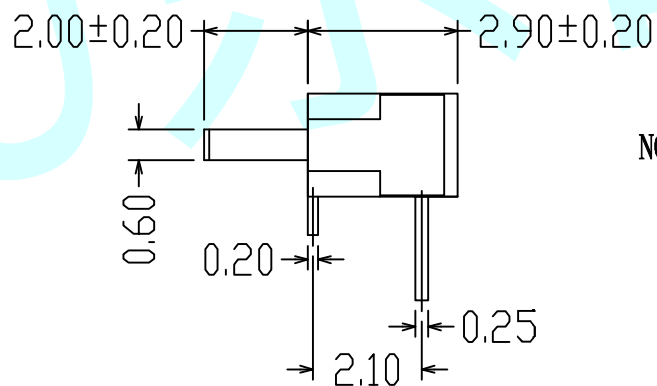
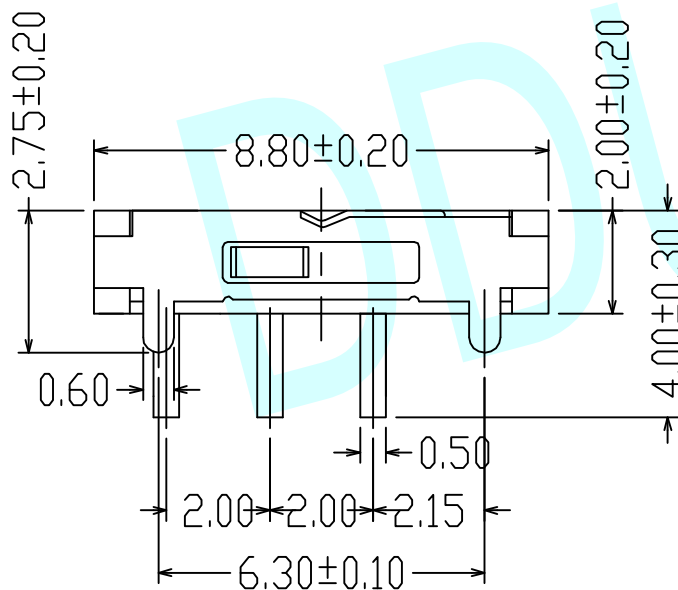
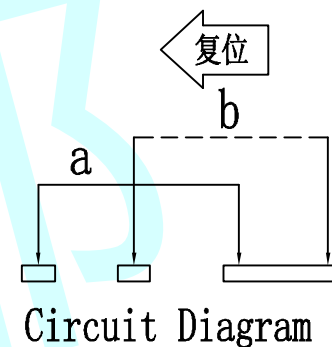
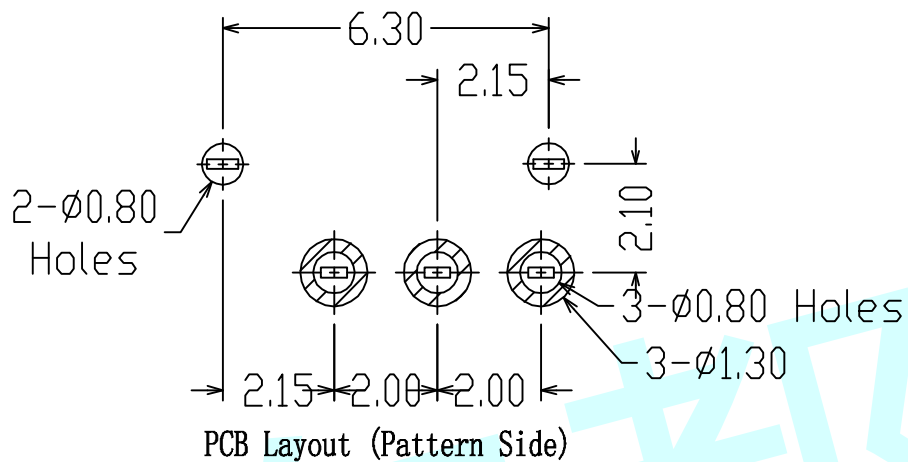
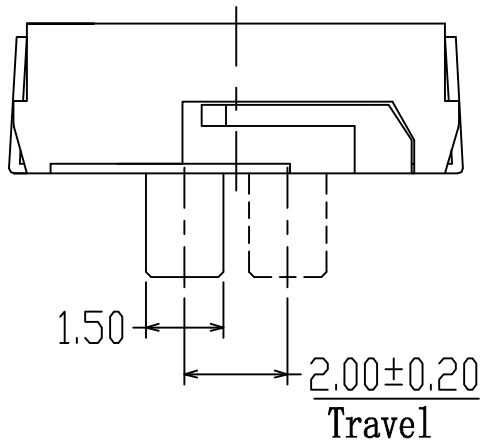

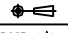


ROHS



NOTES:

1. Operating Force : 150±100gf

APPROVALS		DATE	http://www.dongdudz.com		 <b>东都电子</b> DONGDU ELECTRONICS
DRAW:	ZRD	2017-12-6	TOLERANCE:	ANGLE:	
CHECKED:	***	***	30°	±0.30	±2°
APPOVALS:	***	***	10°30'	±0.20	
			5°10'	±0.15	
			≤5	±0.10	MODL: TOGGLE SWITCHES PART NO: DDU-1448 UNIT :mm SCALE:1:1  REV: A PAGE:1/1