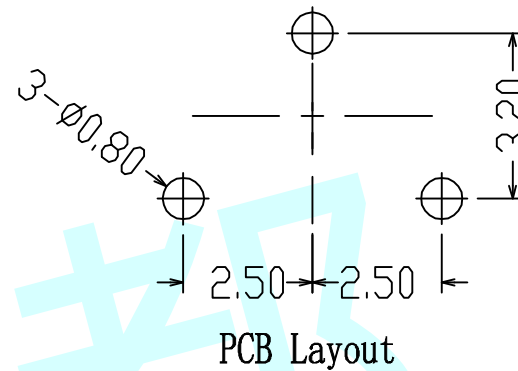
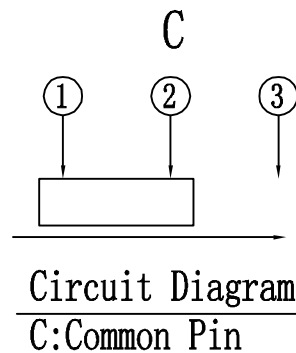
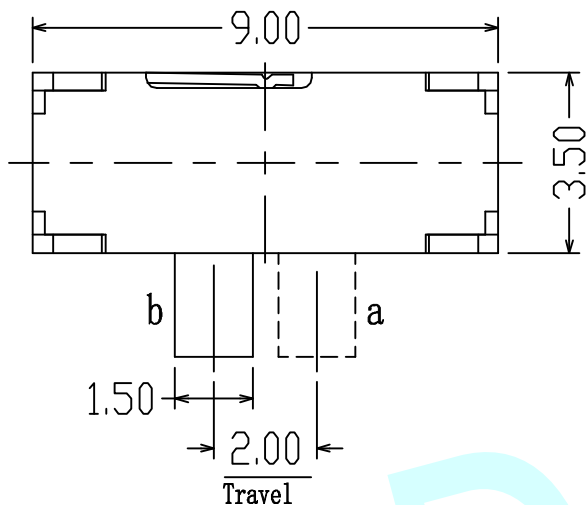
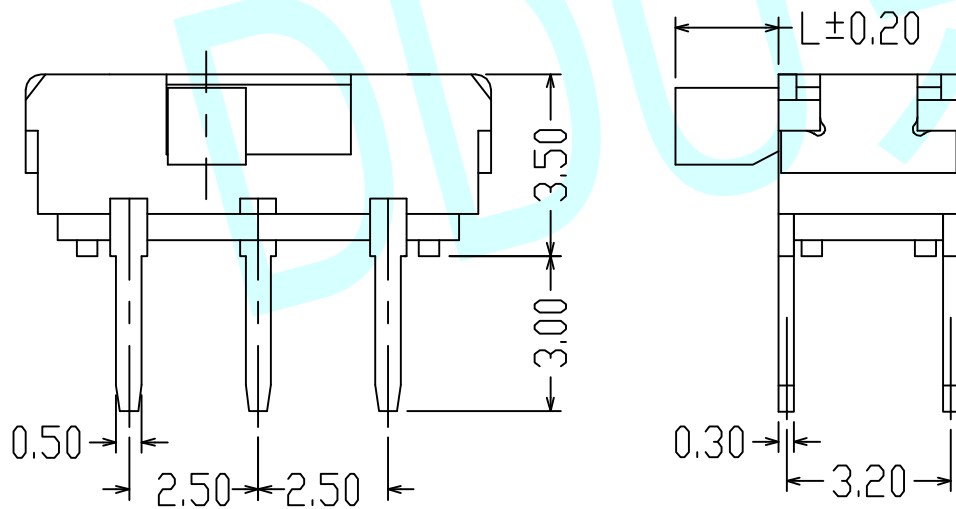



ROHS



NOTES:
1. Operating Force : $200 \pm 100gf$



		L		2.00		3.00		4.00	
APPROVALS		DATE		http://www.dongdudz.com				 ® 东都电子 DONGDU ELECTRONICS	
DRAW:	ZRD	2017-12-6		TOLERANCE:		ANGLE:			
CHECKED:	***	***		30°	±0.30	±2°		MODEL:	TOGGLE SWITCHES
APPOVALS:	***	***		10°30'	±0.20			PART NO:	DDU-1454
				5°10'	±0.15			UNIT :mm	SCALE:1:1
				≤5	±0.10	REV:	A	PAGE:1/1	