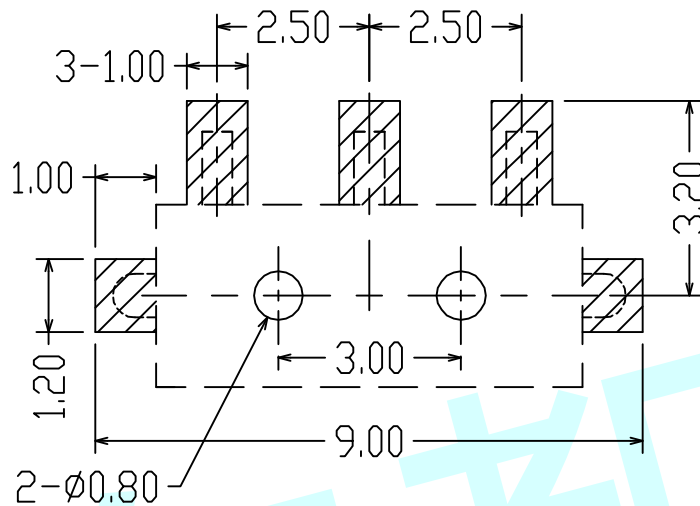
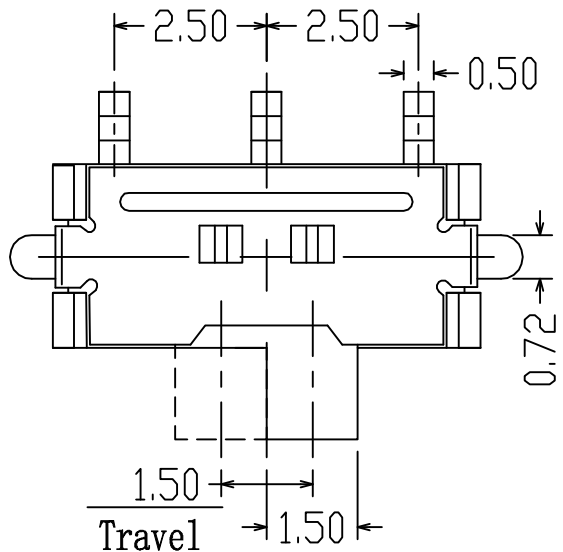
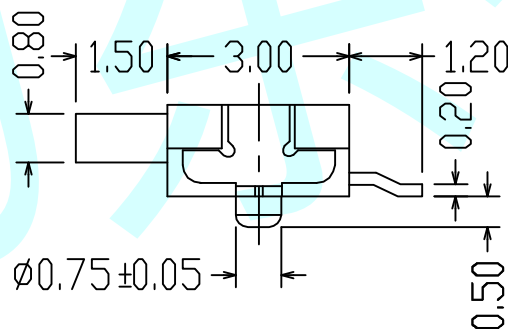
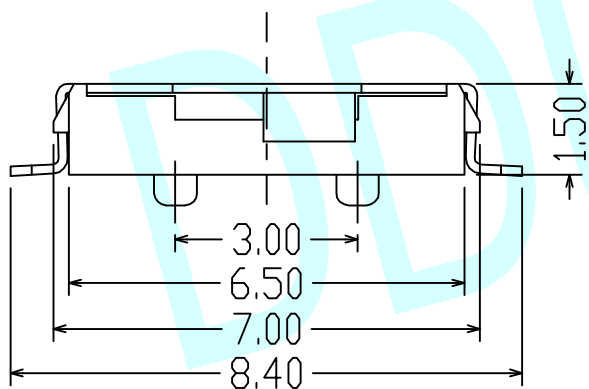


**ROHS**

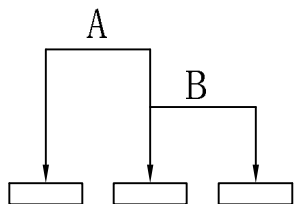


PCB Layout (Pattern Side)


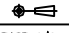


NOTES:

1. Rating :DC 6V 300mA
2. Operating Force :180±50gf
3. Travel :1.50mm



Circuit Diagram

APPROVALS		DATE	http://www.dongdudz.com		 <b>® 东都电子</b> DONGDU ELECTRONICS		
DRAW:	ZRD	2017-12-6	TOLERANCE:	ANGLE:			
CHECKED:	***	***	30° ≥ ±0.30	±2°	MODEL:	TOGGLE SWITCHES	
APPOVALS:	***	***	10°~30 ±0.20		PART NO:	DDU-1453	
			5°~10 ±0.15		UNIT :mm	SCALE:1:1	
			≤5 ±0.10		REV:	A	PAGE:1/1