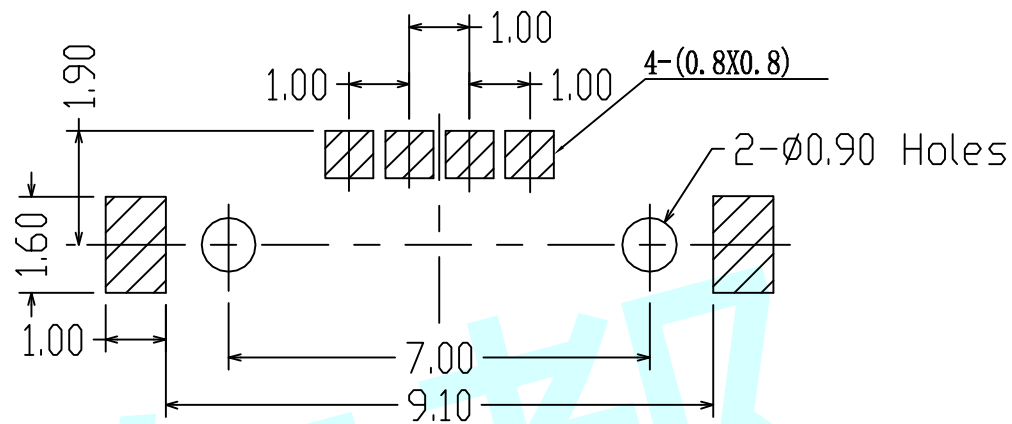
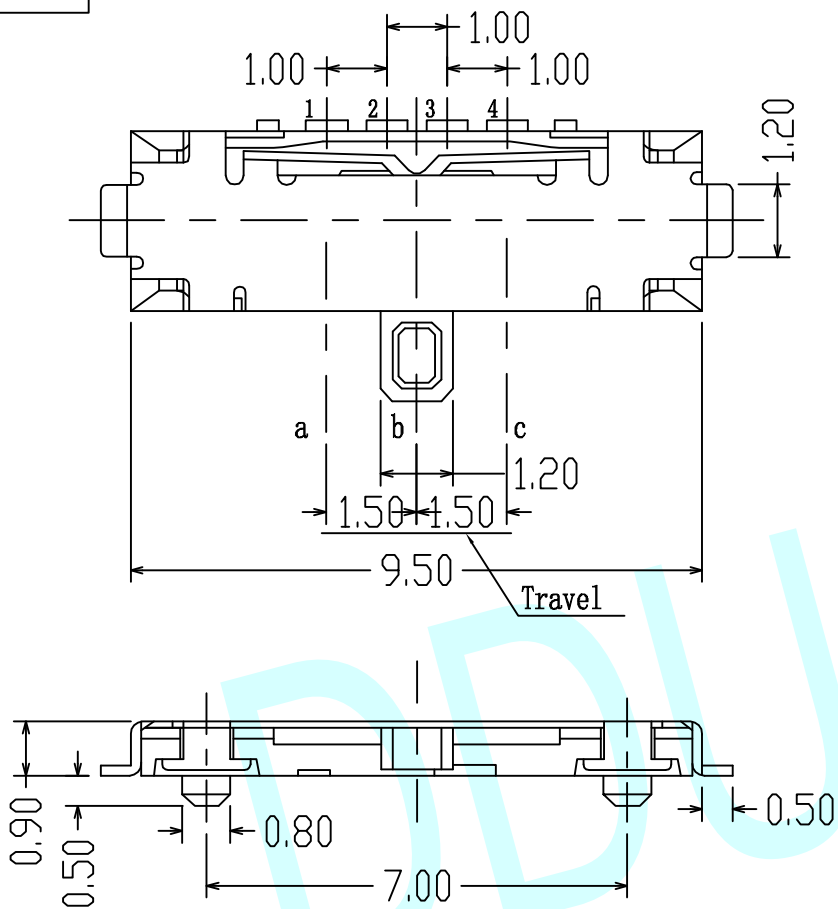
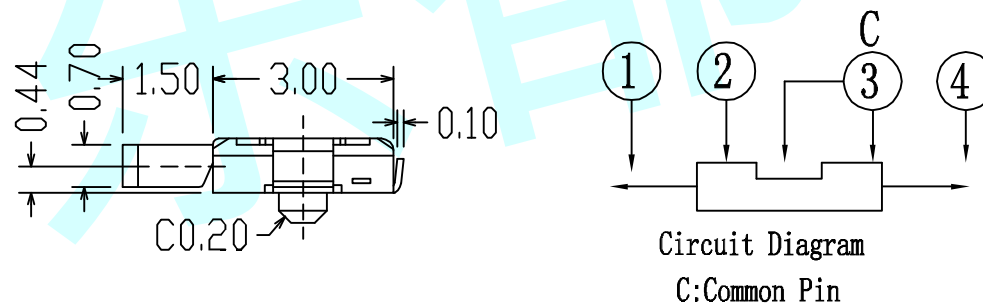


ROHS


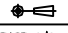


PCB Layout (Pattern Side)



NOTES:

1. Rating:DC 4V 0.3A
2. Life:10,000 Cycles Min
3. Operating Force:a→b, c→d 100gf
b→a, b→c 120gf
4. Travel :1.50mm

APPROVALS		DATE	http://www.dongdudz.com	
DRAW:	ZRD	2017-12-6	TOLERANCE:	ANGLE:
CHECKED:	***	***	30° ≥ ±0.30	±2°
APPOVALS:	***	***	10°~30 ±0.20	
			5°~10 ±0.15	
			≤5 ±0.10	
			 ® 东都电子 DONGDU ELECTRONICS	
MODBL:		TOGGLE SWITCHES		
PART NO:		DDU-1459		
UNIT :mm	SCALE:1:1			
REV:	A	PAGE:1/1		