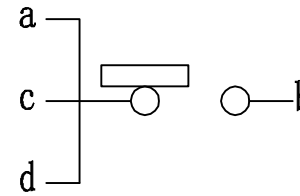
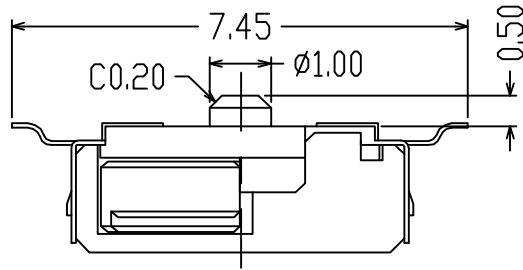
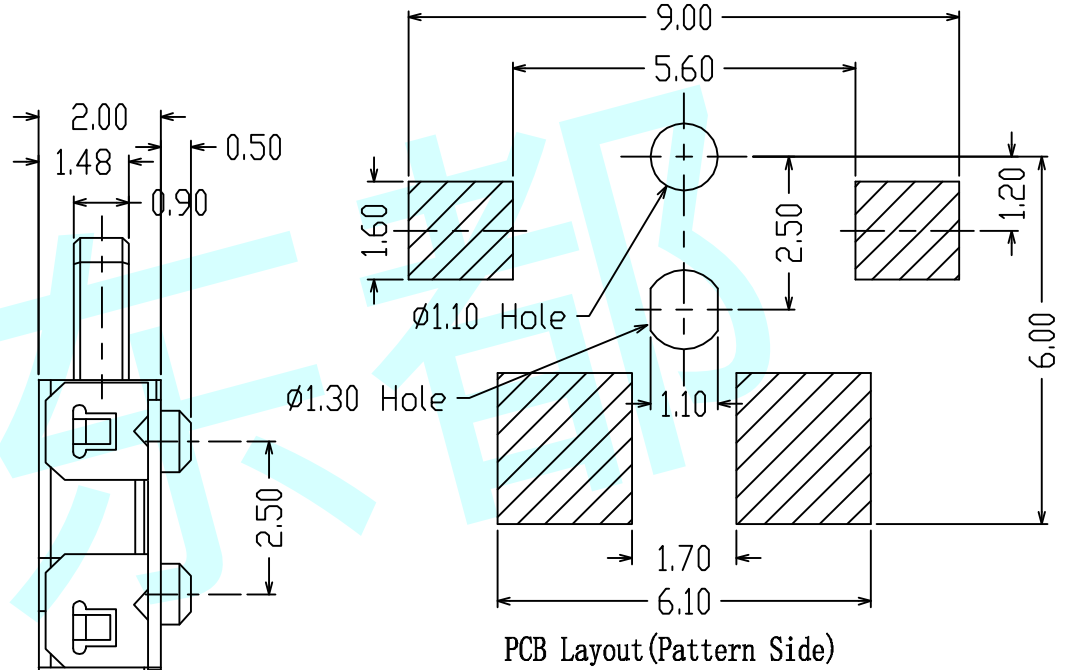
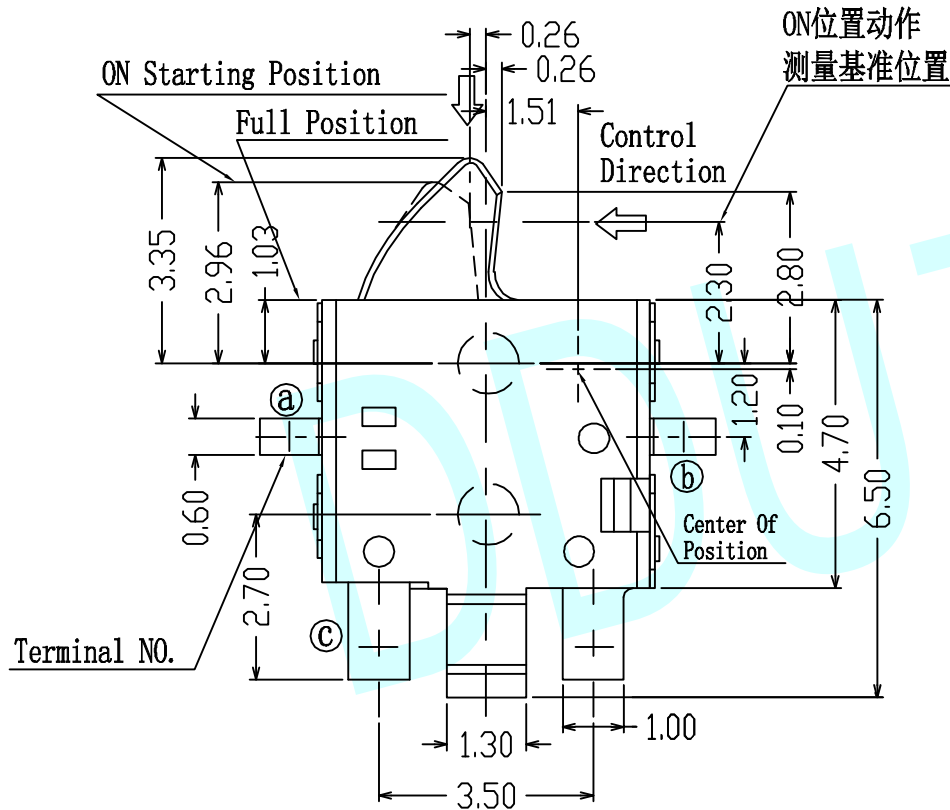


ROHS


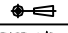


Circuit Diagram



NOTES:

1. Rating :DC 12V 50mA
2. Operating Force:  $20 \pm 10$ gf
3. Life time :100,000 Cycles

APPROVALS		DATE	http://www.dongdudz.com		 <b>® 东都电子</b> DONGDU ELECTRONICS	
DRAW:	ZRD	2017-12-6	TOLERANCE:	ANGLE:		
CHECKED:	***	****	30 <sup>≥</sup>	±0.30		±2°
APPOVALS:	***	****	10 <sup>~</sup> 30	±0.20		
			5 <sup>~</sup> 10	±0.15		
			≤5	±0.10		
MODEL:	DETECTOR SWITCHS					
PART NO:	DDU-1602					
UNIT :mm	SCALE: 1:1					
REV:	A	PAGE: 1/2				