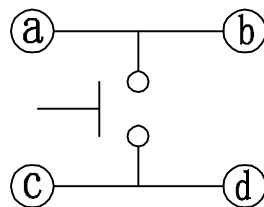
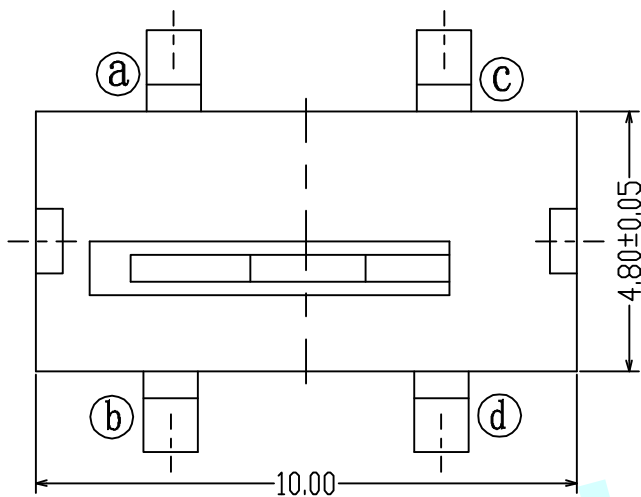
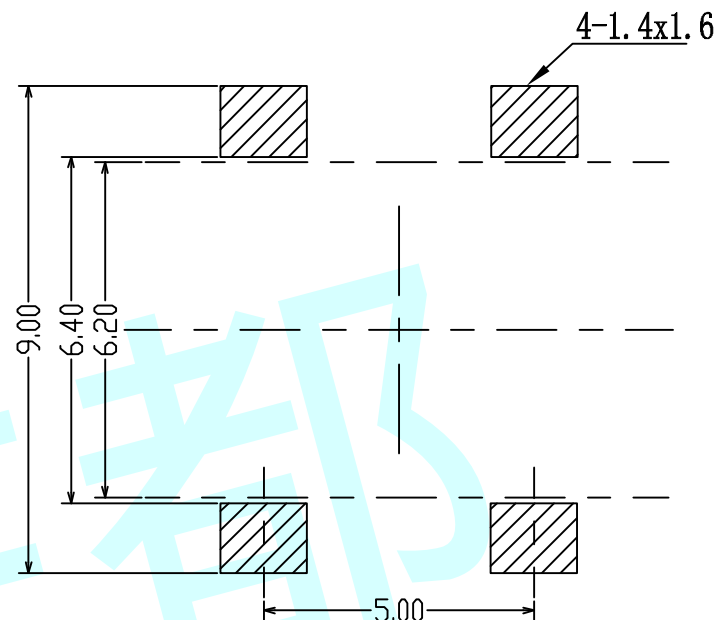


ROHS



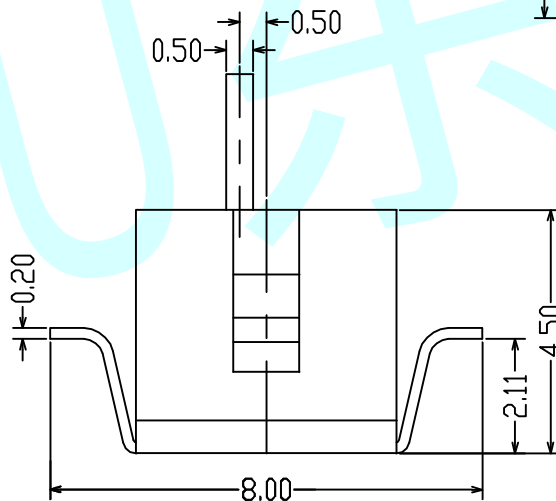
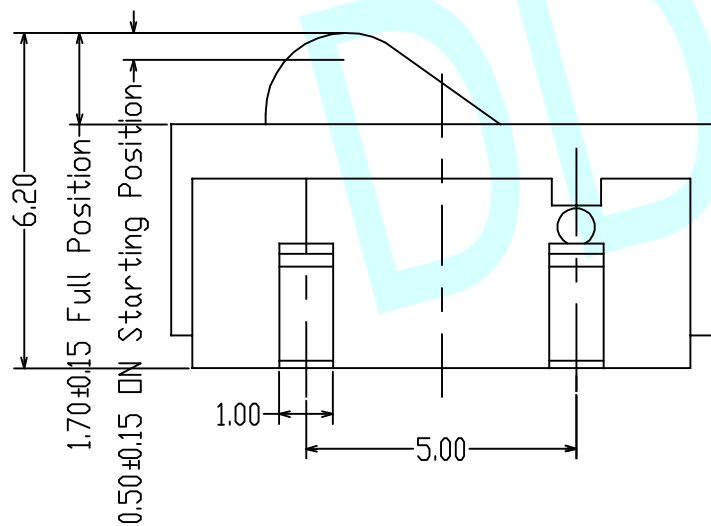
Circuit Diagram




PCB Layout (Pattern Side)

NOTES:

1. Operating Force: 40 ± 10 gf



APPROVALS		DATE	http://www.dongdudz.com	
DRAW:	ZRD	2017-12-6	TOLERANCE:	ANGLE:
CHECKED:	***	****	30° ≥ ±0.30	±2°
APPOVALS:	***	****	10°~30 ±0.20	
			5°~10 ±0.15	
			≤5 ±0.10	
		 东都电子 DONGDU ELECTRONICS		MODBL: DETECTOR SWITCHES PART NO: DDU-1605 UNIT :mm SCALE: 1:1 REV: A