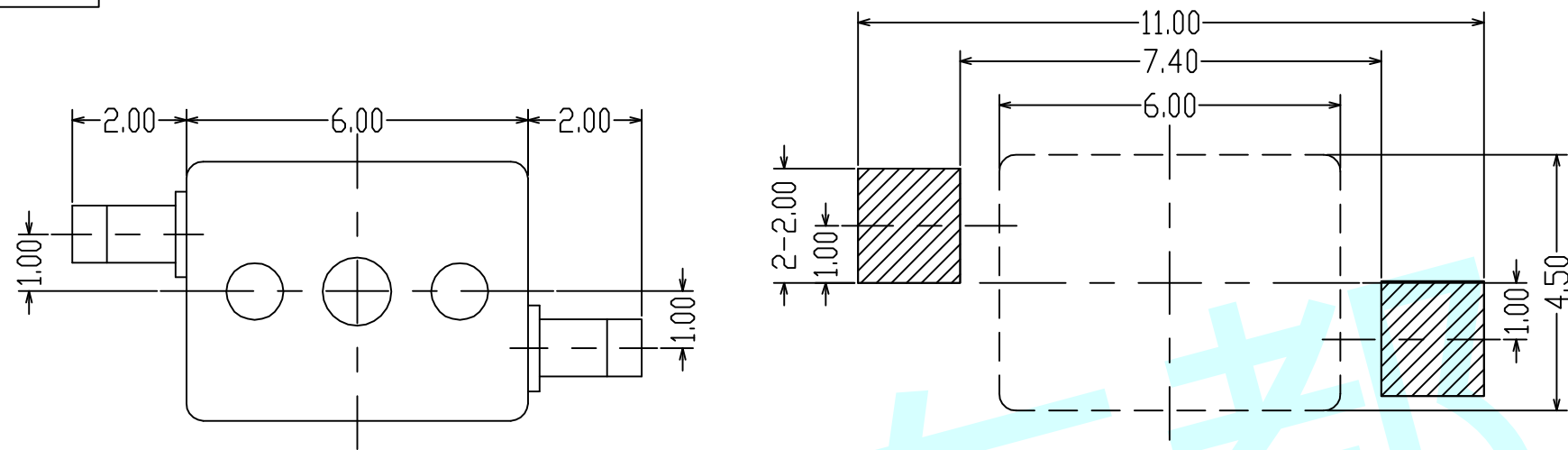
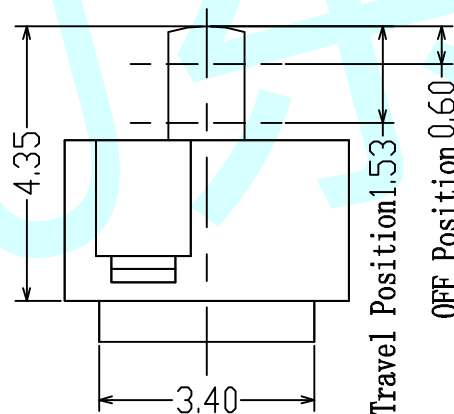
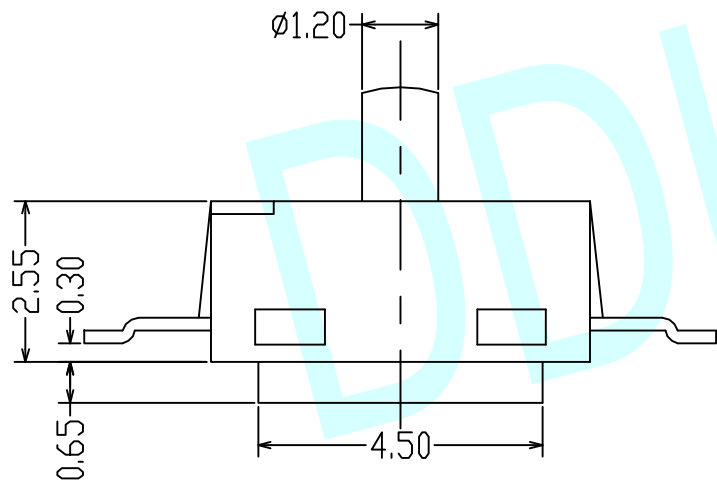


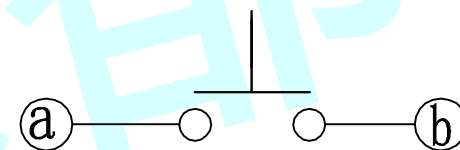
ROHS



Hole Layout (top view)




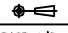
Total Travel Position 1.53
OFF Position 0.60



Circuit Diagram

NOTES:

1. Rating :DC 5V 5mA
2. Operating Force: 30 ± 10 gf
3. Life time :100,000 Cycles

APPROVALS		DATE	http://www.dongdudz.com	
DRAW:	ZRD	2017-12-6	TOLERANCE:	ANGLE:
CHECKED:	***	****	30 \geq	± 0.30
APPOVALS:	**	****	10 $^{\circ}$ 30	± 0.20
			5 $^{\circ}$ 10	± 0.15
			≤ 5	± 0.10
			$\pm 2^{\circ}$	
				 ® 东都电子 DONGDU ELECTRONICS
MODEL:		DETECTOR SWITCHS		
PART NO:		DDU-1614		
UNIT :mm	SCALE: 1:1			
REV:	A	PAGE: 1/2		