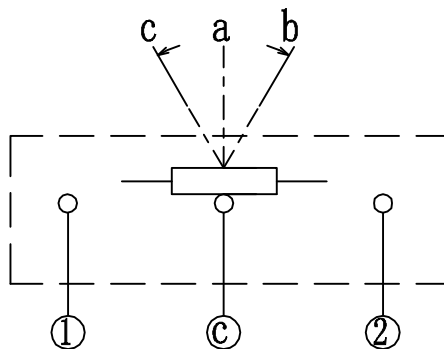
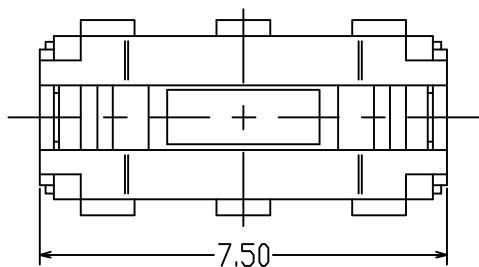
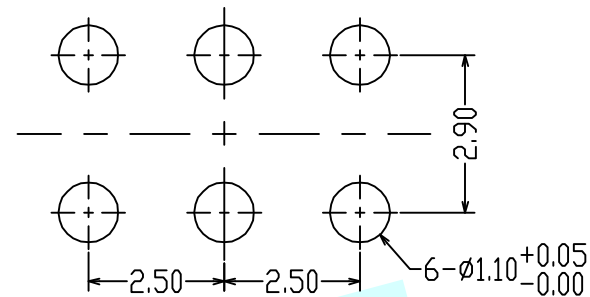


**ROHS**

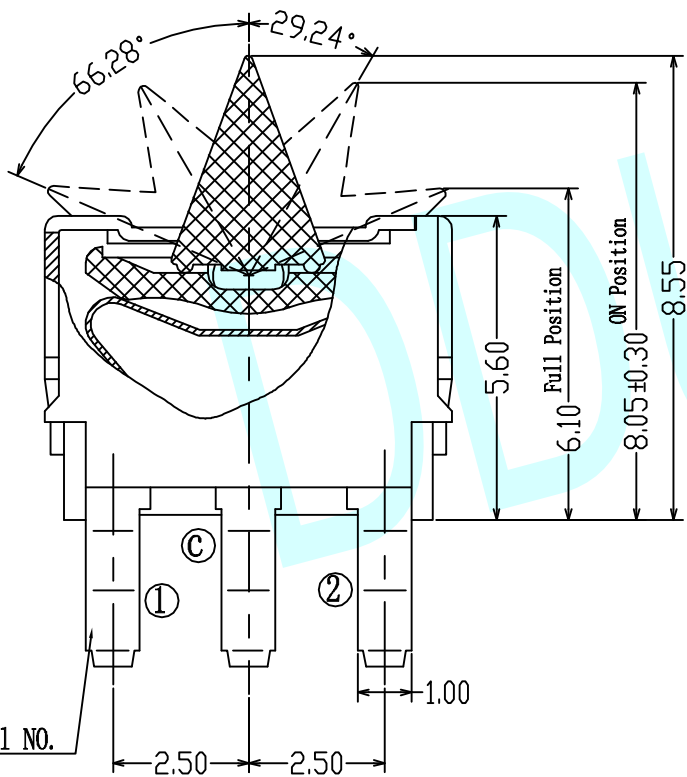


Circuit Diagram

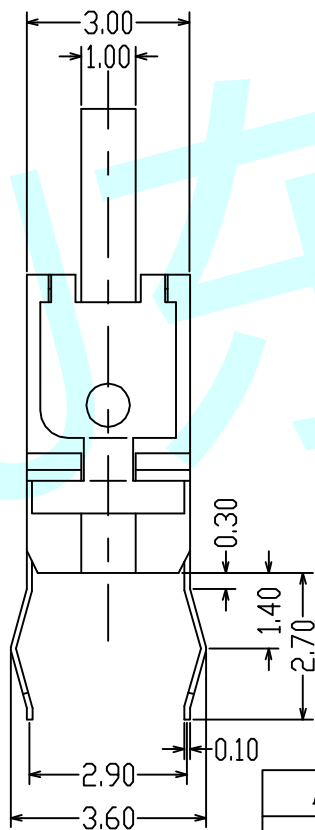


T=0.8mm

PCB Layout (Pattern Side)


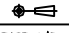


Terminal NO.



**NOTES:**

1. Rating :DC 5V 10mA
2. Operating Force:25±10gf
3. Life time :100,000 Cycles

|           |     |           |                         |   |
|-----------|-----|-----------|-------------------------|---|
| APPROVALS |     | DATE      | http://www.dongdudz.com |   |
| DRAW:     | ZRD | 2017-12-6 | TOLERANCE:              | ANGLE:  |
| CHECKED:  | *** | ****      | 30° ≥ ±0.30             | ±2°   |
| APPOVALS: | *** | ****      | 10°~30 ±0.20            |   |
|           |     |           | 5°~10 ±0.15             |   |
|           |     |           | ≤5 ±0.10                |   |
|           |     |           |                         |  <b>® 东都电子</b><br>DONGDU ELECTRONICS   |
|           |     |           |                         | MODEL: DETECTOR SWITCHS<br>PART NO: DDU-1601<br>UNIT :mm SCALE:1:1 <br>REV: A PAGE:1/2 |