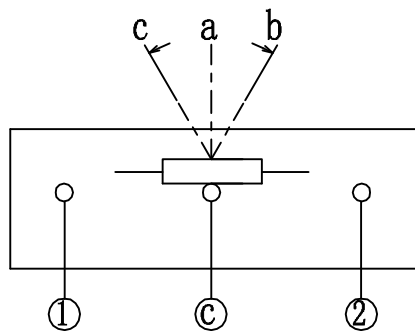
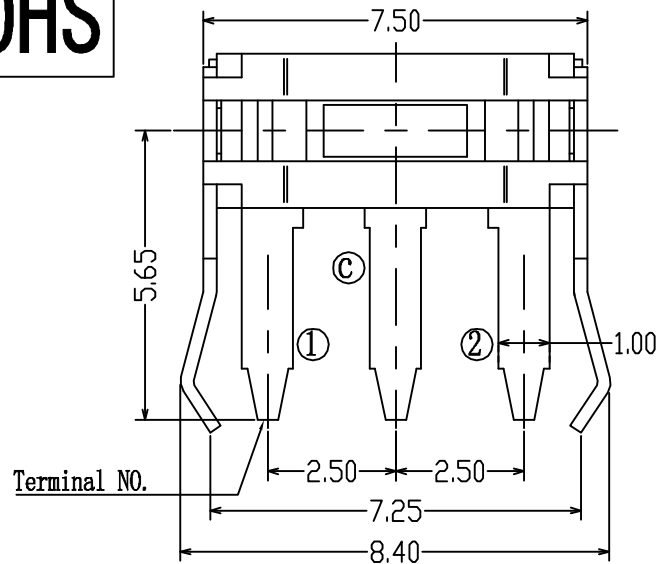
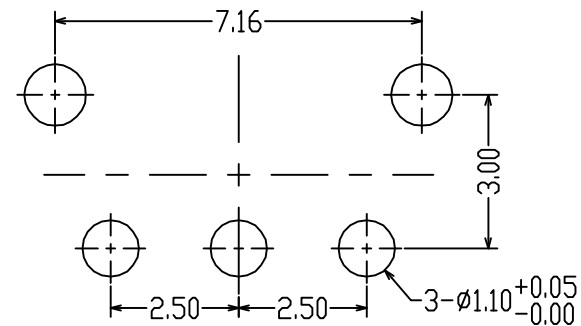


**ROHS**



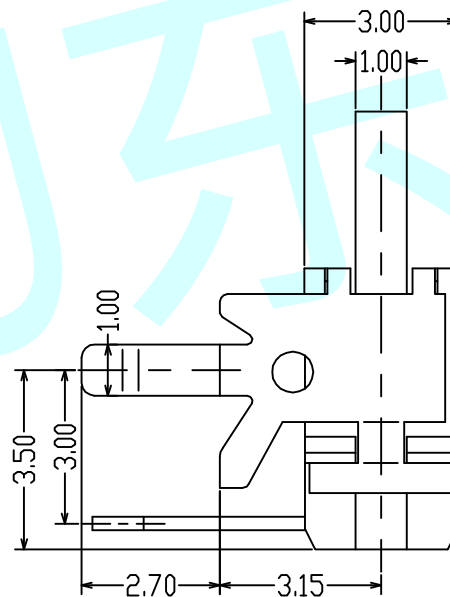
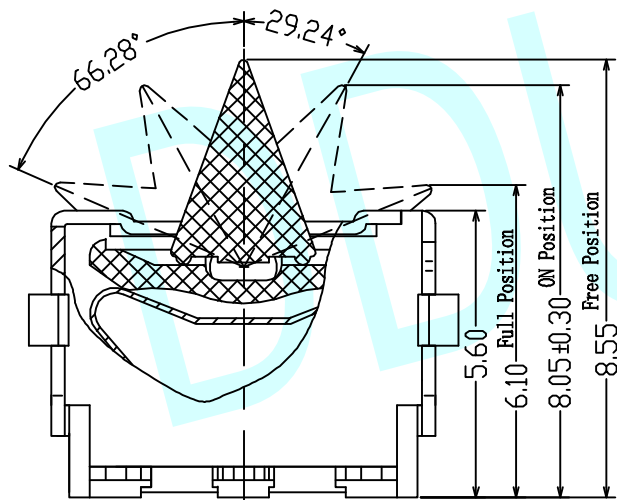
Circuit Diagram





T=0.8mm  
PCB Layout (Pattern Side)

**NOTES:**

1. Rating :DC 5V 10mA
2. Operating Force:30±10gf
3. Life time :50,000 Cycles



APPROVALS		DATE	http://www.dongdudz.com		
DRAW:	ZRD	2017-12-6	TOLERANCE:	ANGLE:	
CHECKED:	***	****	30≥	±0.30	
APPOVALS:	***	****	10°30	±0.20	
			5°10	±0.15	
			≤5	±0.10	
			±2°	 <b>® 东都电子</b> DONGDU ELECTRONICS	
MODBL:		DETECTOR SWITCHS			
PART NO:		DDU-1622			
UNIT :mm	SCALE:1:1				
REV:	A	PAGE:1/2			