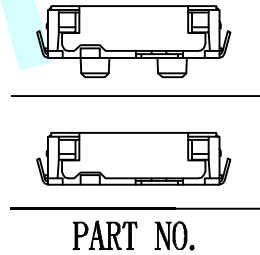
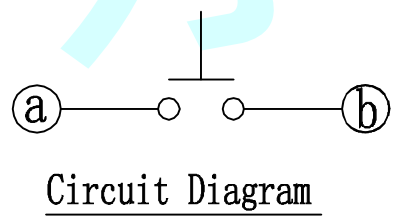
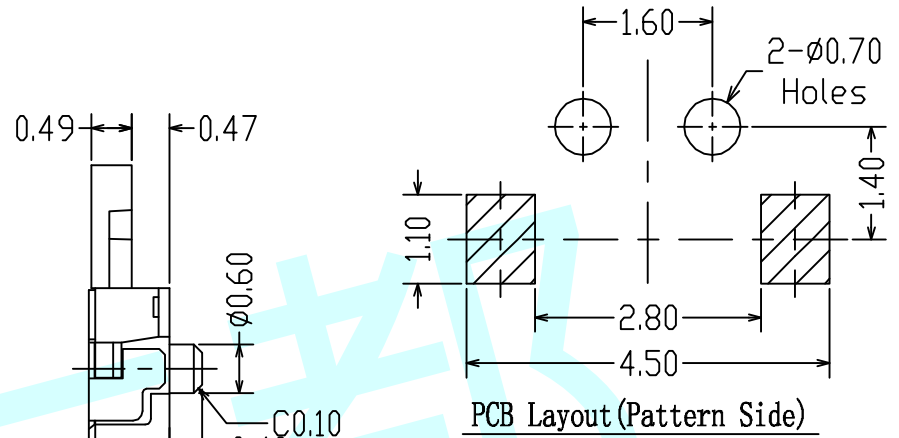
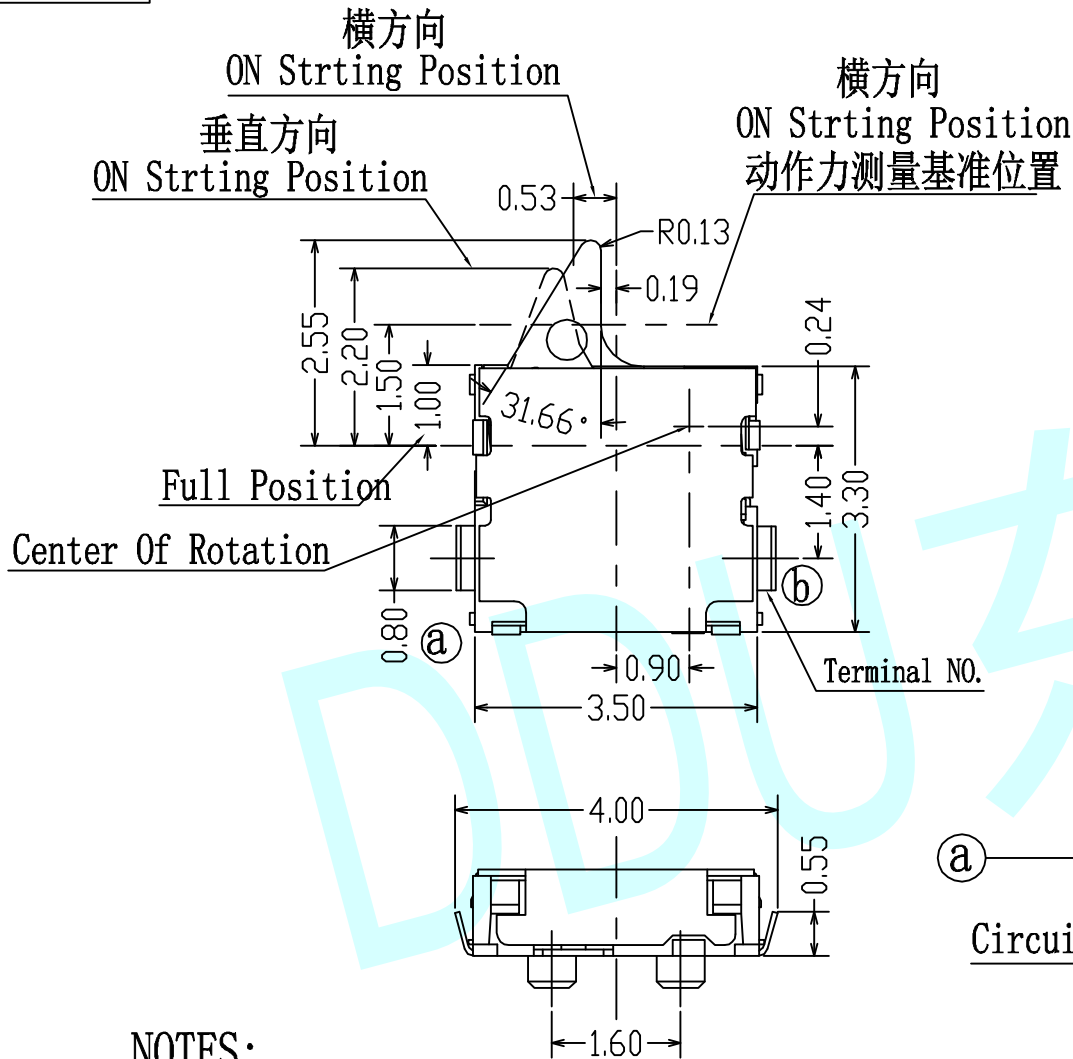


ROHS



- NOTES:
1. Rating :DC 12V 50mA
 2. Operating Force: 20 ± 10 gf
 3. Life time :100,000 Cycles

APPROVALS		DATE	http://www.dongdudz.com			
DRAW:	ZRD	2017-12-6	TOLERANCE:	ANGLE:		
CHECKED:	***	****	30 \geq	± 0.30		
APPOVALS:	***	****	10 \sim 30	± 0.20		
			5 \sim 10	± 0.15		
			≤ 5	± 0.10		
			® 东都电子 DONGDU ELECTRONICS			
					MODEL:	DETECTOR SWITCHS
					PART NO:	DDU-1632
					UNIT :mm	SCALE:1:1
			REV:	A		
			PAGE:1/2			