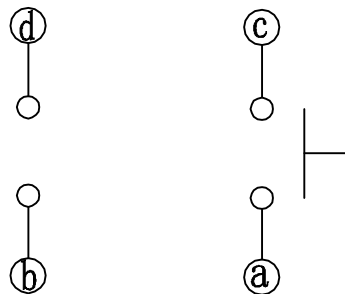
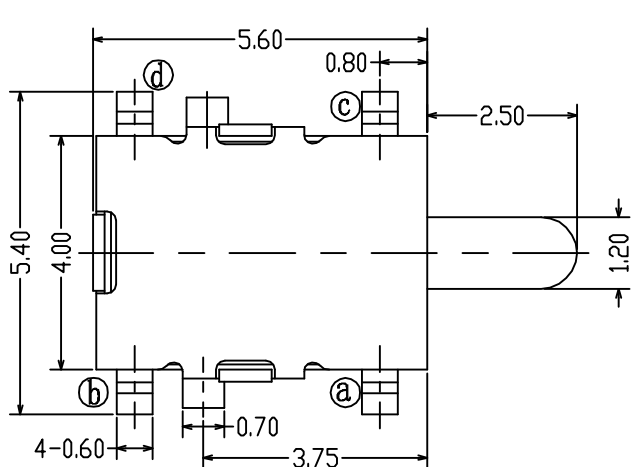
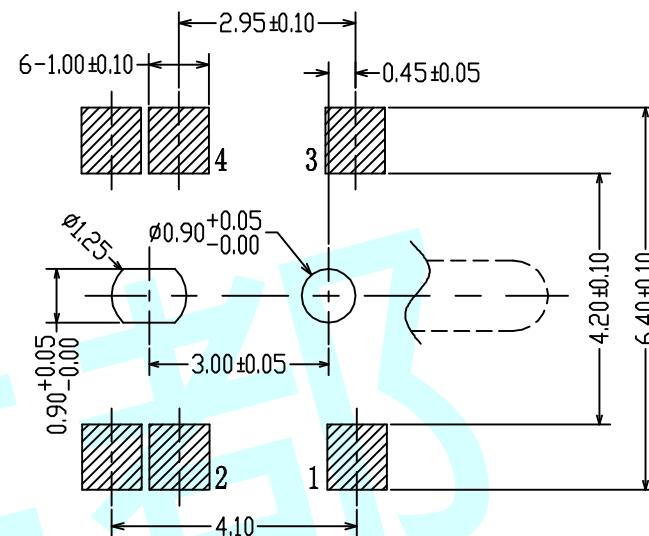


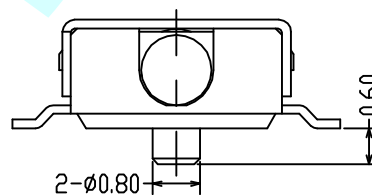
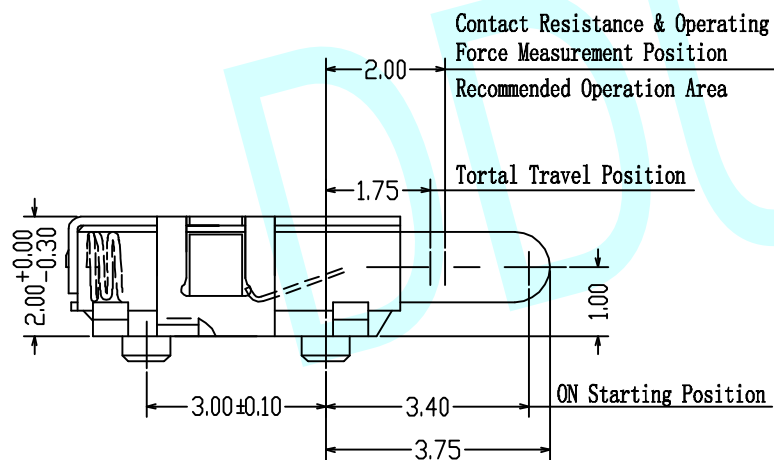
ROHS



Circuit Diagram



PCB Land Dimension  $\oplus 0.05$




NOTES:

1. Rating: DC 12V 50mA
2. Operating Force:  $120 \pm 30$ gf
3. Life time: 100,000 Cycles

APPROVALS		DATE	http://www.dongdudz.com	
DRAW:	ZRD	2017-12-6	TOLERANCE:	ANGLE:
CHECKED:	***	****	30°	±0.30
APPOVALS:	***	****	10°30'	±0.20
			5°10'	±0.15
			≤5	±0.10

 <b>东都电子</b> DONGDU ELECTRONICS	
MODEL:	DETECTOR SWITCHS
PART NO:	DDU-1634
UNIT :mm	SCALE: 1:1
REV:	A