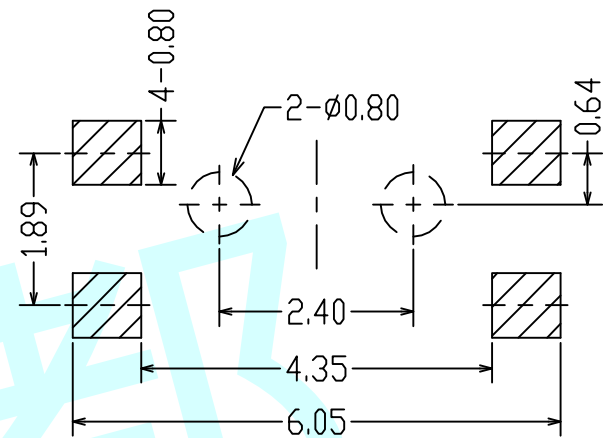
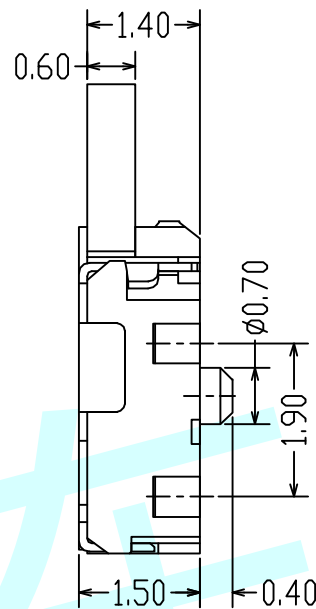
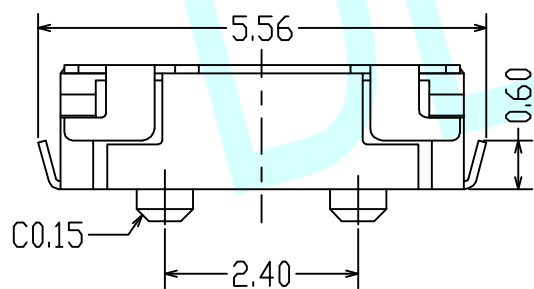
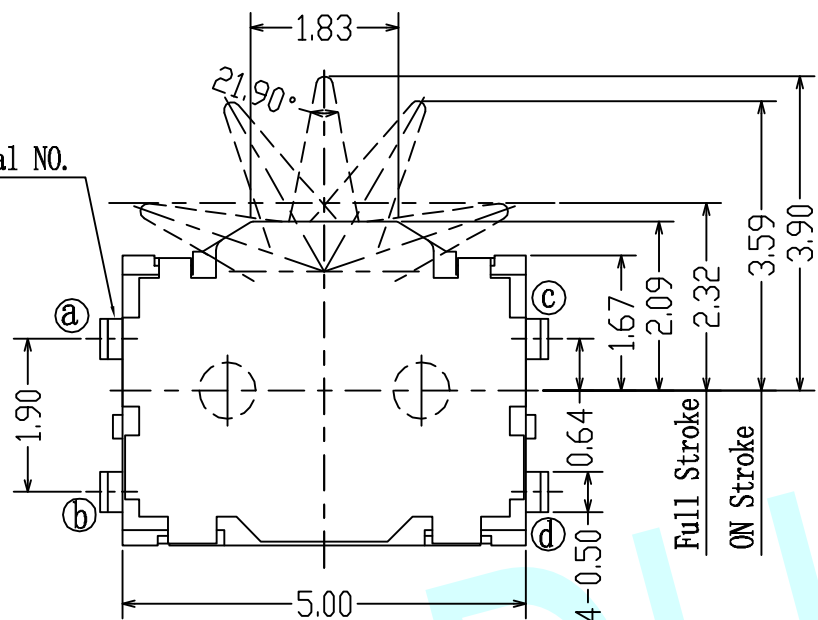


ROHS

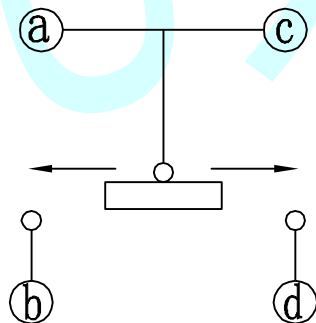
Terminal NO.



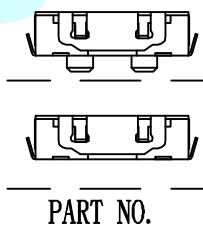
PCB Layout (Pattern Side)


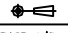
NOTES:

1. Rating: DC 12V 50mA
2. Operating Force: 30 ± 30 gf
3. Life time: 100,000 Cycles



Circuit Diagram



APPROVALS		DATE	http://www.dongdudz.com		 东都电子 DONGDU ELECTRONICS	
DRAW:	ZRD	2017-12-6	TOLERANCE:	ANGLE:		
CHECKED:	***	****	30 [≥]	±0.30		±2°
APPOVALS:	***	****	10 [~] 30	±0.20		
			5 [~] 10	±0.15		
			≤5	±0.10		
MODL:	DETECTOR SWITCHS					
PART NO:	DDU-1637					
UNIT :mm	SCALE: 1:1					
REV:	A	PAGE: 1/2				