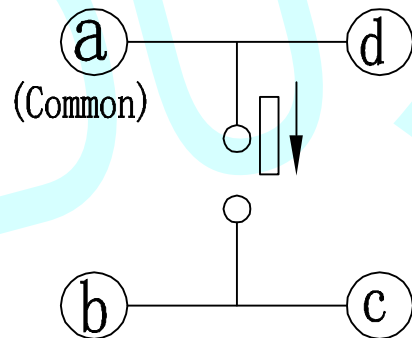
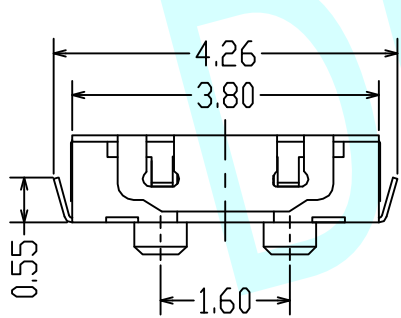
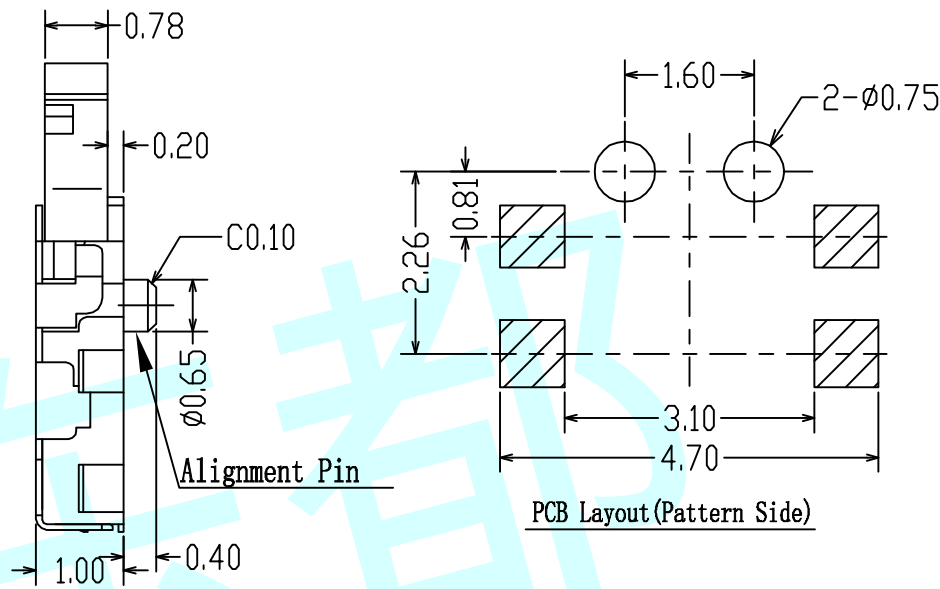
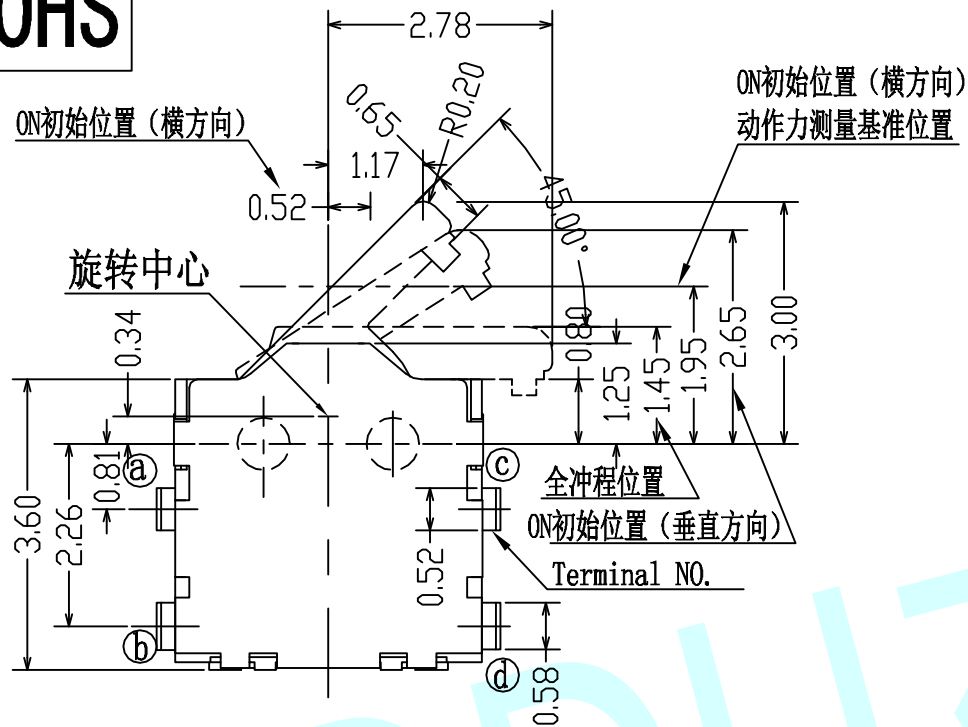


ROHS



Circuit Diagram

NOTES:

1. Rating: DC 12V 50mA
2. Operating Force: 20 ± 10 gf
3. Life time: 100,000 Cycles

APPROVALS		DATE	http://www.dongdudz.com	
DRAW:	ZRD	2017-12-6	TOLERANCE:	ANGLE:
CHECKED:	***	****	30 \geq	± 0.30
APPOVALS:	***	****	10 \sim 30	± 0.20
			5 \sim 10	± 0.15
			≤ 5	± 0.10
			$\pm 2^\circ$	

® 东都电子
DONGDU ELECTRONICS

MODEL:	DETECTOR SWITCHS	
PART NO:	DDU-1639	
UNIT :mm	SCALE: 1:1	
REV:	A	PAGE: 1/2