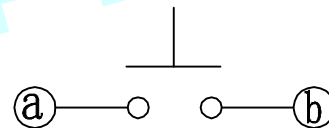
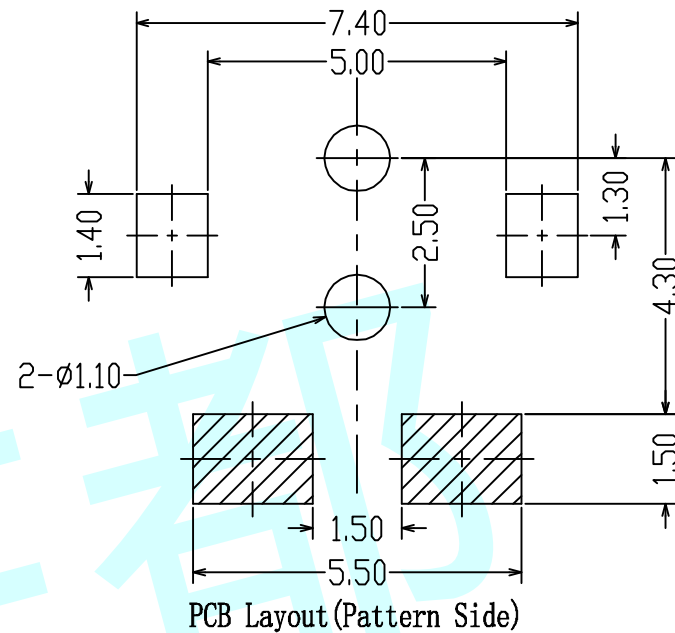
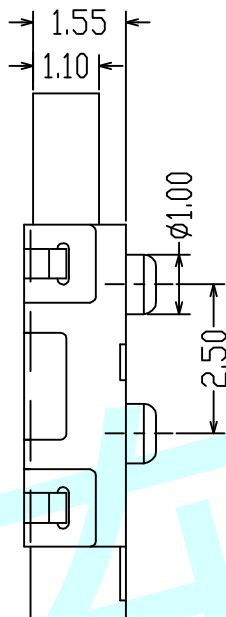
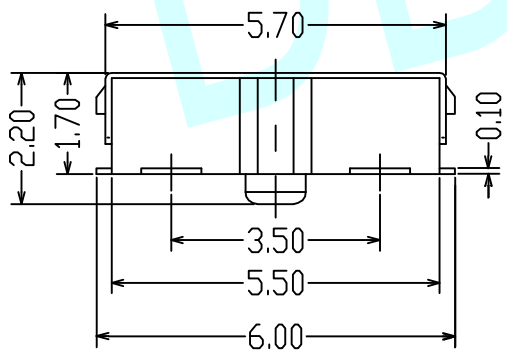
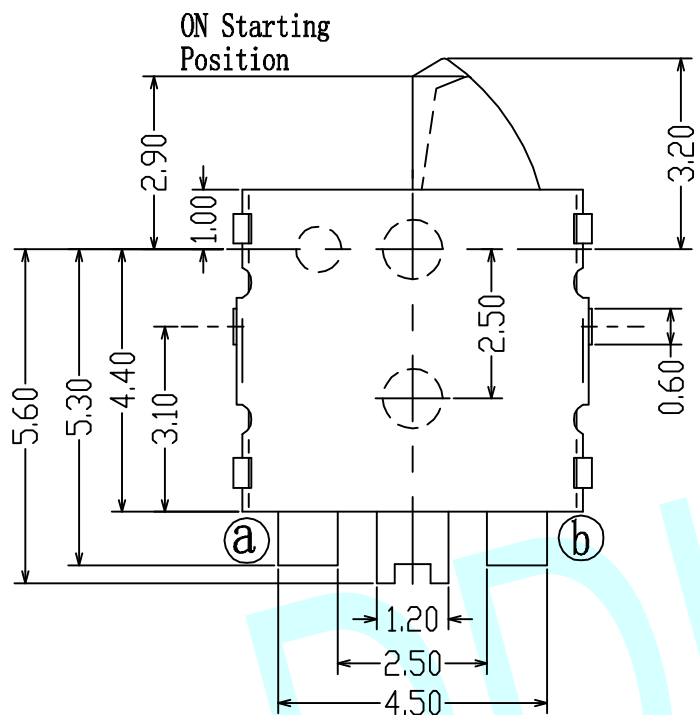

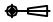


ROHS



NOTES:

1. Rating:DC 30V 0.1A
2. Operating Force: 20 ± 10 gf
3. Life time:50,000 Cycles

APPROVALS		DATE	http://www.dongdudz.com		 ® 东都电子 DONGDU ELECTRONICS	
DRAW:	ZRD	2017-12-6	TOLERANCE:	ANGLE:		
CHECKED:	***	****	30 \geq	± 0.30		$\pm 2^\circ$
APPOVALS:	***	****	10 \sim 30	± 0.20		
			5 \sim 10	± 0.15		
			≤ 5	± 0.10	MODL: DETECTOR SWITCHS PART NO: DDU-1601 UNIT :mm SCALE:1:1  REV: A PAGE:1/2	