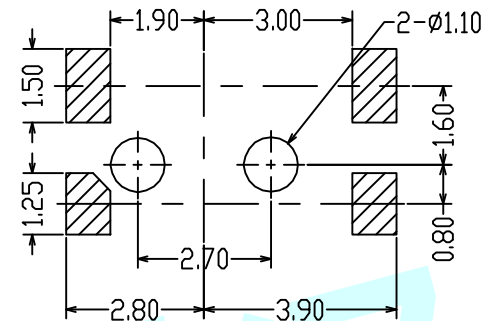
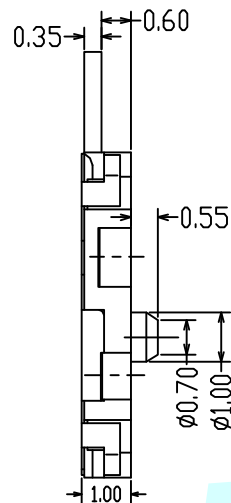
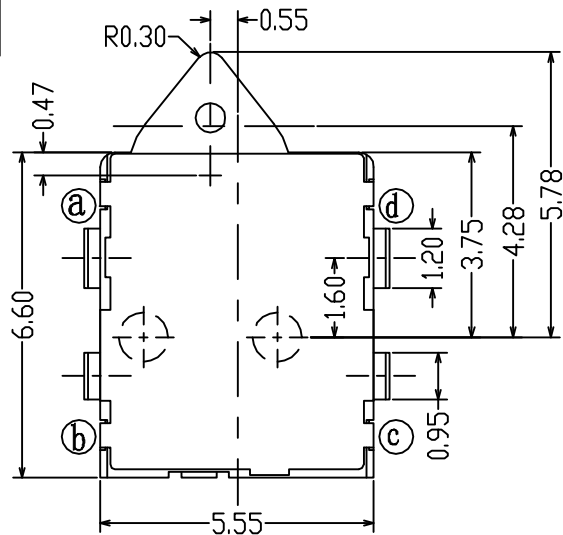
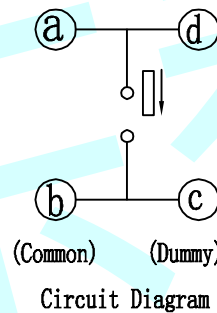


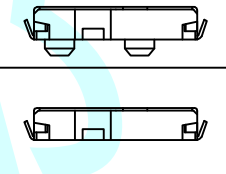
ROHS



PCB Layout (Pattern Side)



Circuit Diagram

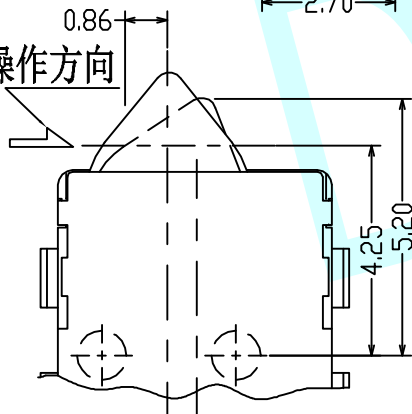


PART NO.

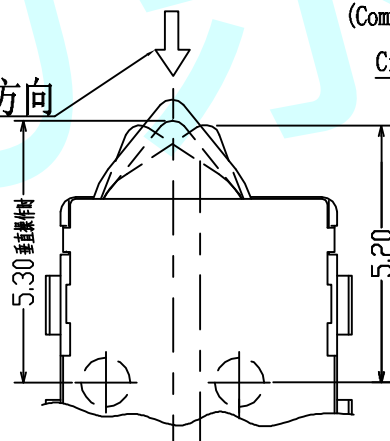
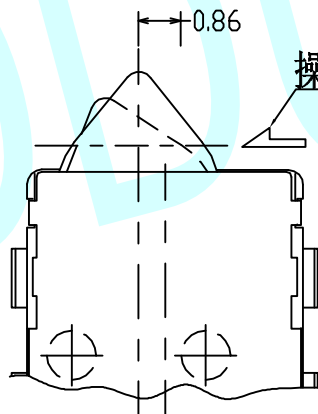
NOTES:


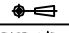
1. Rating: DC 12V 50mA
2. Operating Force: 20 ± 10 gf
3. Life time: 100,000 Cycles

操作方向



操作方向



APPROVALS		DATE	http://www.dongdudz.com	
DRAW:	ZRD	2017-12-6	TOLERANCE:	ANGLE:
CHECKED:	***	****	30 [≥]	±2°
APPOVALS:	***	****	10°30	
			5°10	
			≤5	
			 ® 东都电子 DONGDU ELECTRONICS	
MODEL:		DETECTOR SWITCHS		
PART NO:		DDU-1640		
UNIT :mm	SCALE: 1:1			
REV:	A	PAGE: 1/2		