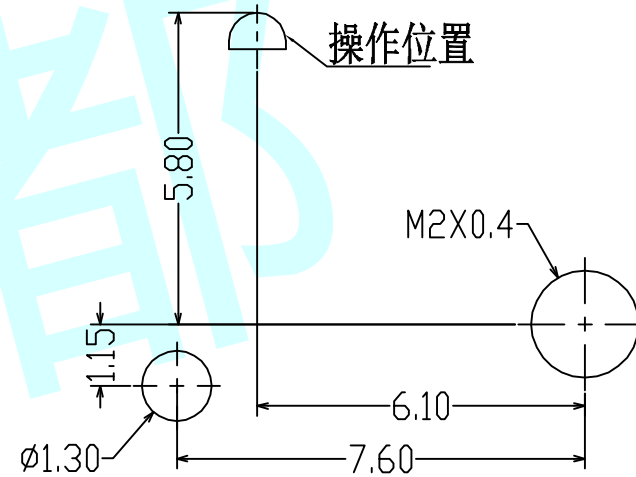
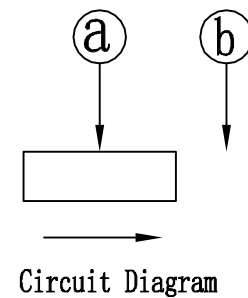
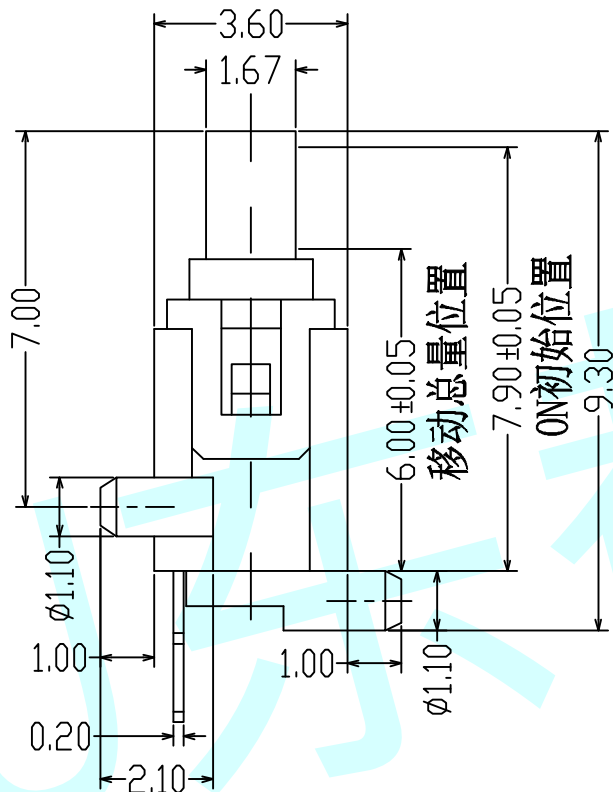
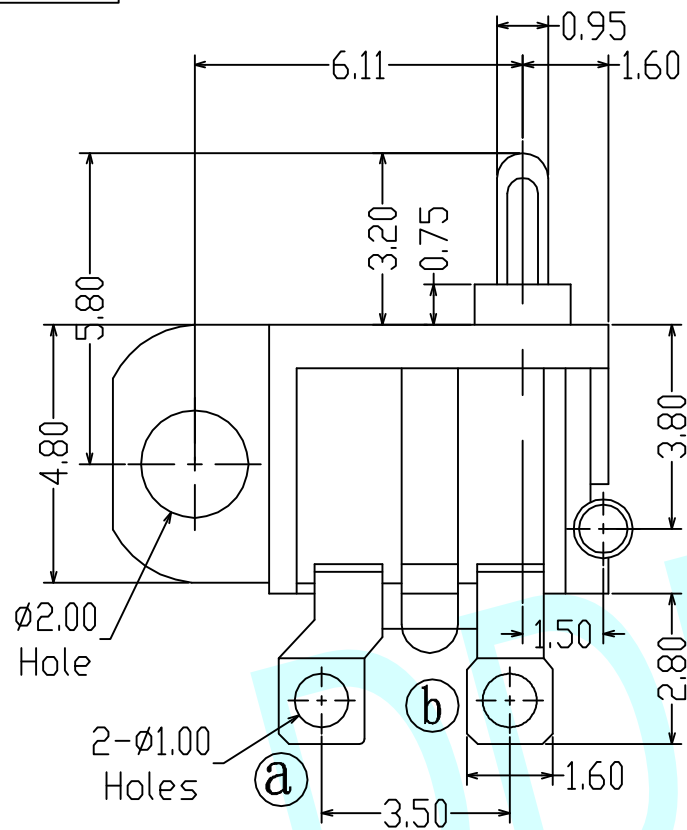

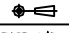


ROHS



NOTES:

1. Rating:DC 30V 0.1A
2. Operating Force:50±10gf
3. Life time:100,000 Cycles

APPROVALS		DATE	http://www.dongdudz.com		 ® 东都电子 DONGDU ELECTRONICS	
DRAW:	ZRD	2017-12-6	TOLERANCE:	ANGLE:		
CHECKED:	***	****	30°	±0.30		±2°
APPOVALS:	**	****	10°30'	±0.20		
			5°10'	±0.15		
			≤5	±0.10		
MODEL:	DETECTOR SWITCHS		UNIT : mm	SCALE: 1:1		
PART NO:	DDU-1647		REV:	A	PAGE: 1/2	