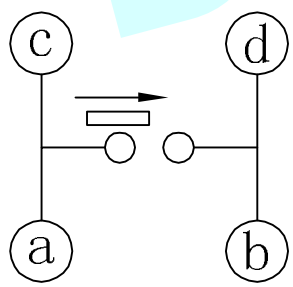
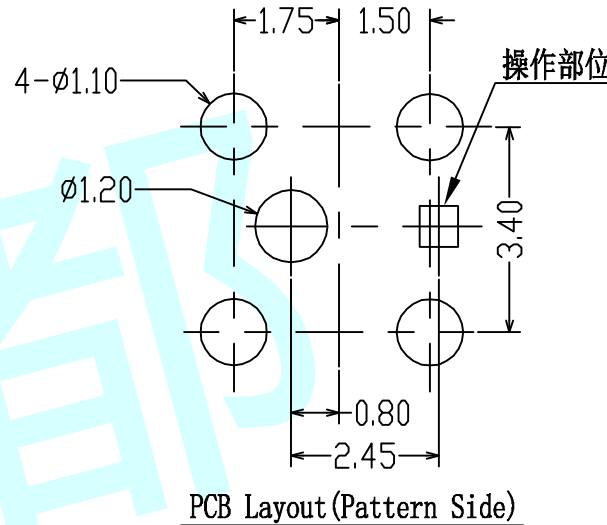
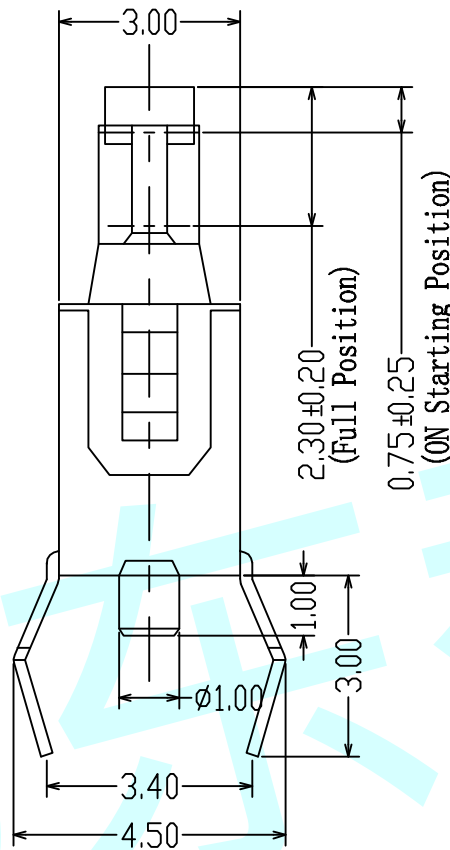
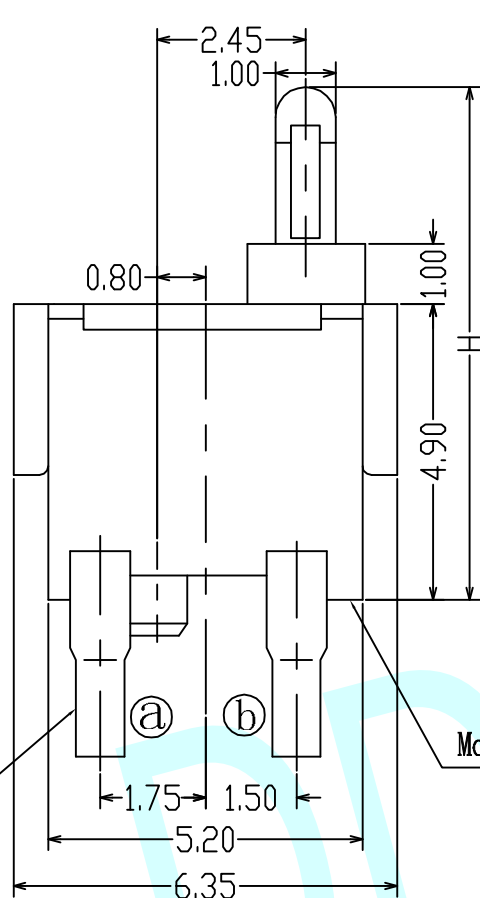



ROHS



Circuit Diagram

NOTES:

1. Rating: DC 30V 0.1A
2. Operating Force: 40 ± 10gf
3. Life time: 100,000 Cycles

		H	8.50	11.00	12.30	13.70
APPROVALS		DATE	http://www.dongdudz.com			
DRAW:	ZRD	2017-12-6	TOLERANCE:		ANGLE:	
CHECKED:	***	****	30 ≥	±0.30	±2°	
APPOVALS:	***	****	10°30	±0.20		
			5°10	±0.15		
			≤5	±0.10		
		 东都电子 DONGDU ELECTRONICS		MODL: DETECTOR SWITCHS PART NO: DDU-1662 UNIT :mm SCALE: 1:1 REV: A PAGE: 1/2		