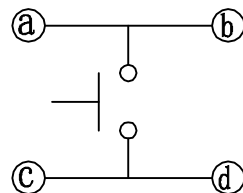
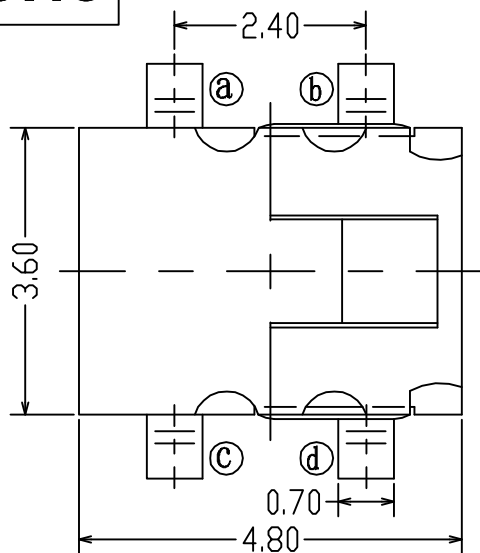
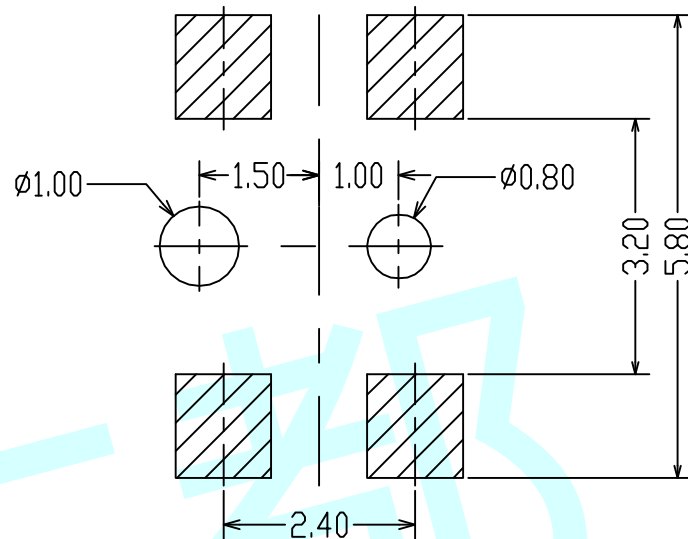


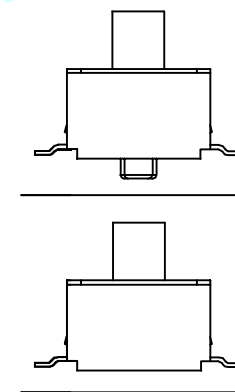
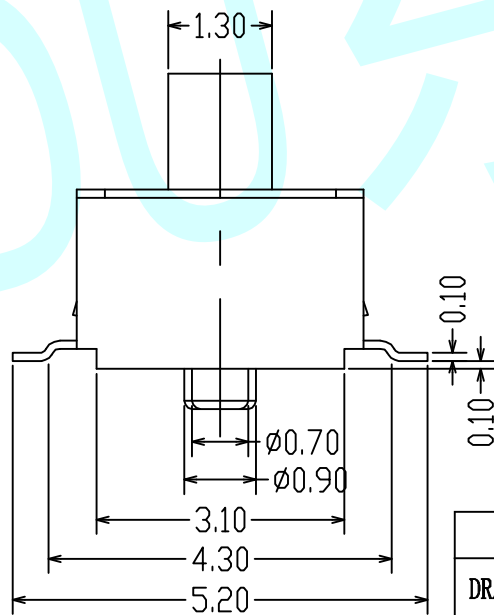
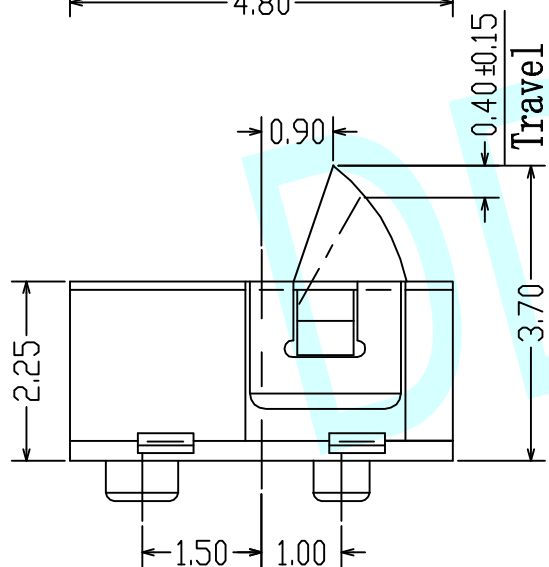
ROHS



Circuit Diagram



PCB Layout (Pattern Side)




PART NO.

NOTES:

1. Rating: DC 30V 0.1A
2. Operating Force: 30 ± 10 gf
3. Life time: 100,000 Cycles

APPROVALS		DATE	http://www.dongdudz.com	
DRAW:	ZRD	2017-12-6	TOLERANCE:	ANGLE:
CHECKED:	***	****	30° ≥ ±0.30	±2°
APPOVALS:	***	****	10°~30 ±0.20	
			5°~10 ±0.15	
			≤5 ±0.10	

 东都电子 DONGDU ELECTRONICS	
MODEL:	DETECTOR SWITCHS
PART NO:	DDU-1650
UNIT :mm	SCALE: 1:1
REV:	A