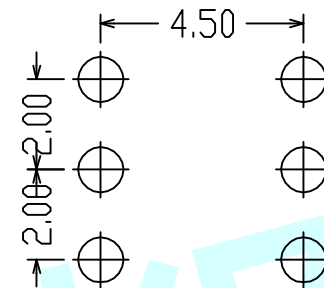
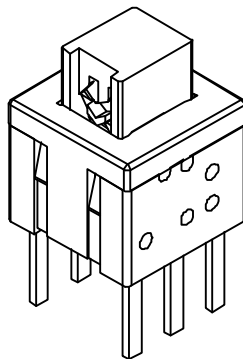
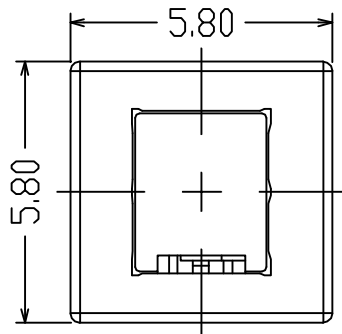
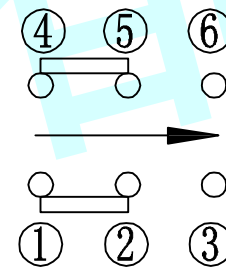
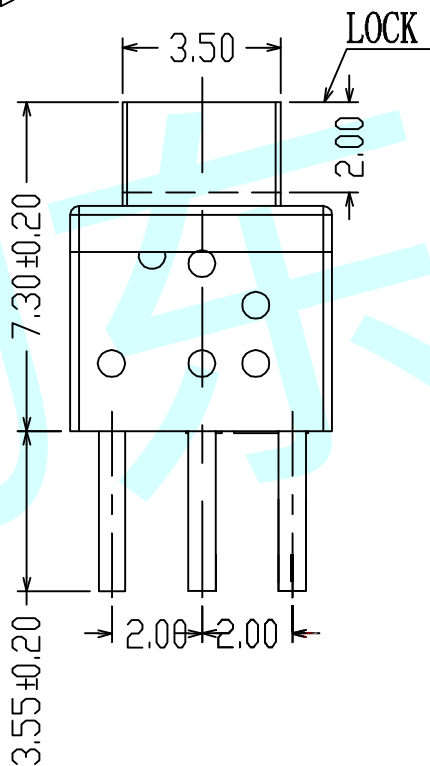
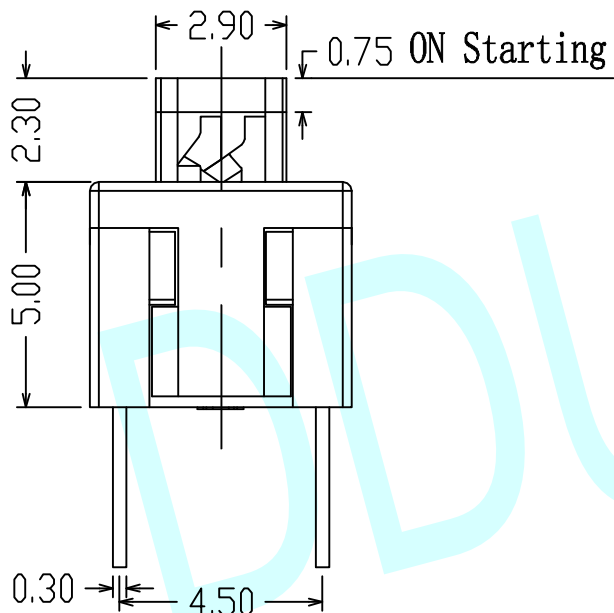


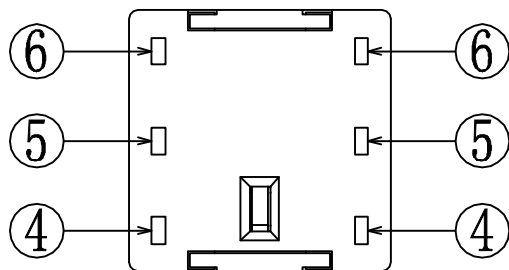
ROHS


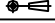


PCB Layout (Pattern Side)



Circuit Diagram



APPROVALS		DATE	http://www.dongdudz.com		 东都电子 DONGDU ELECTRONICS	
DRAW:	ZRD	2017-12-6	TOLERANCE:	ANGLE:		
CHECKED:	***	***	30°	±0.30		±2°
APPOVALS:	***	***	10°30'	±0.20		
			5°10'	±0.15		
			≤5	±0.10	MODL: PUSHBUTTON SWITCHES PART NO: DDU-1304 UNIT :mm SCALE:1:1  REV: A PAGE:1/1	