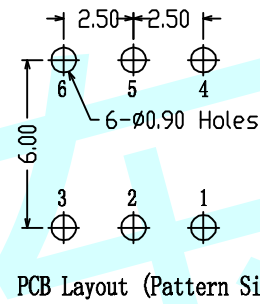
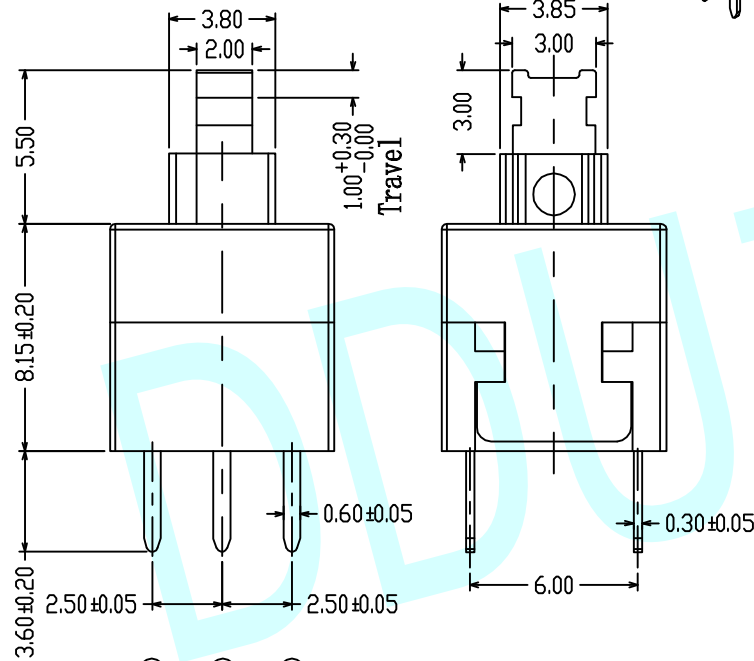
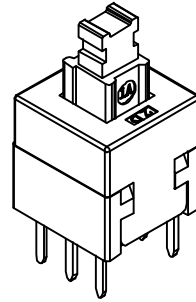
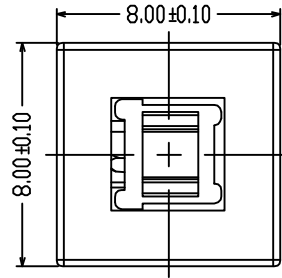
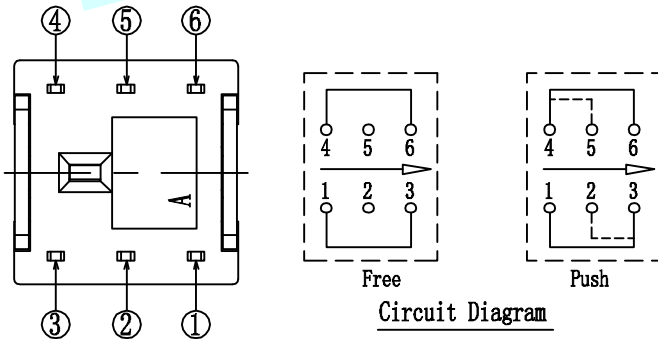


ROHS




NOTES:

- 1. Operating Force : $180\text{gf} \pm 50\text{gf}$
- 2. Travel : $2.40 \pm 0.3\text{mm}$



APPROVALS		DATE	http://www.dongdudz.com	
DRAW:	ZRD	2017-12-6	TOLERANCE:	ANGLE:
CHECKED:	***	***	30° ≥	±0.30
APPOVALS:	***	***	10°~30	±0.20
			5°~10	±0.15
			≤5	±0.10

 ® 东都电子 DONGDU ELECTRONICS	
MODEL:	PUSHBUTTON SWITCHES
PART NO:	DDU-1302
UNIT :mm	SCALE:1:1
REV:	A
	PAGE:1/1