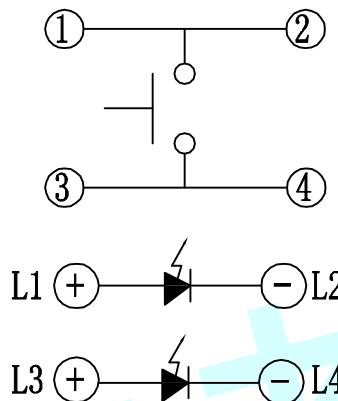
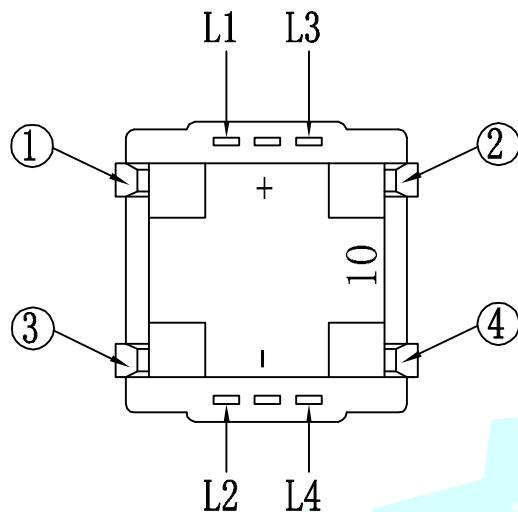
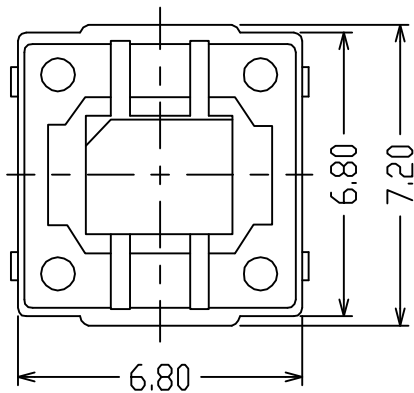
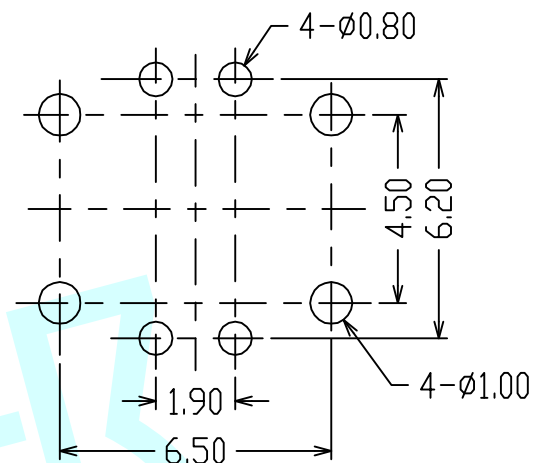


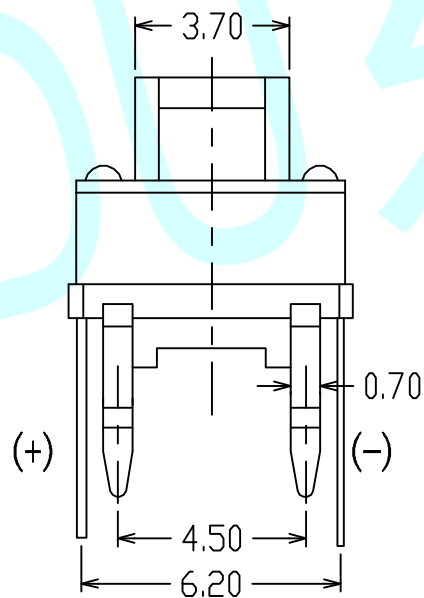
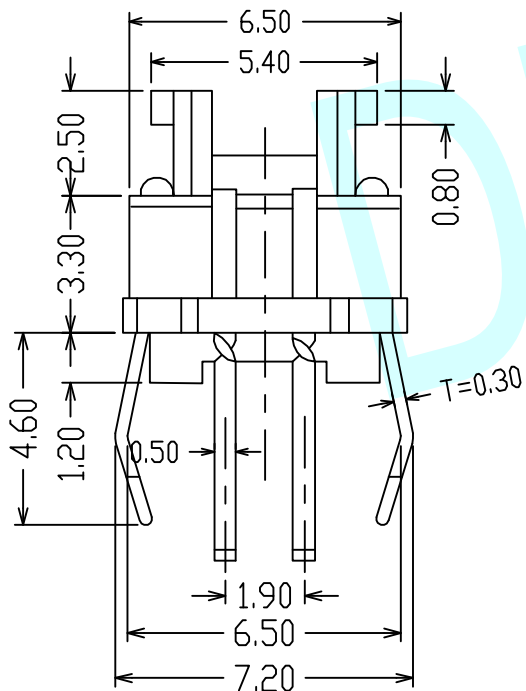
ROHS



Circuit Diagram




PCB Layout (Pattern Side)



NOTES:

1. Rating: 12V DC 50mA
2. Contact Resistance: 100mΩ Max
3. Insulation Resistance: 250V DC FOR 1Min
4. Dielectric Strength: 250V AC (50/60HZ) FOR 1Min
5. Life test: 100,000 Cycles
6. Operation Force: 160±50g
7. Travel: 0.25±0.1mm

APPROVALS			DATE		http://www.dongdudz.com	
DRAW:	ZRD	2017-12-6	TOLERANCE:	ANGLE:	 ® 东都电子 DONGDU ELECTRONICS	
CHECKED:	***	****	30≥	±0.30		
APPOVALS:	***	****	10°30	±0.20		
			5°10	±0.15		
			≤5	±0.10	±2°	MODL: LED Tact Switch PART NO: DDU-1521 UNIT :mm SCALE: 1:1 REV: A

LED Colour (LED颜色)

Red (红色)

Blue (蓝色)