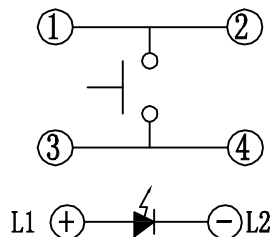
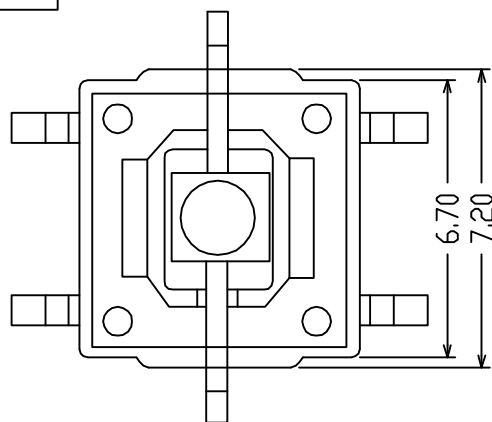
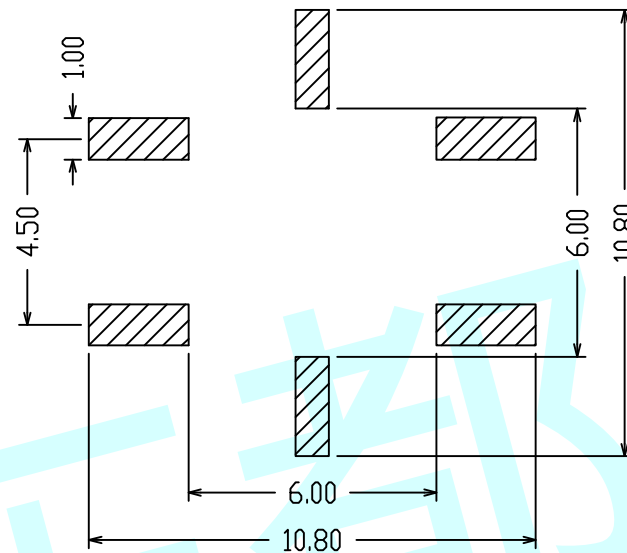


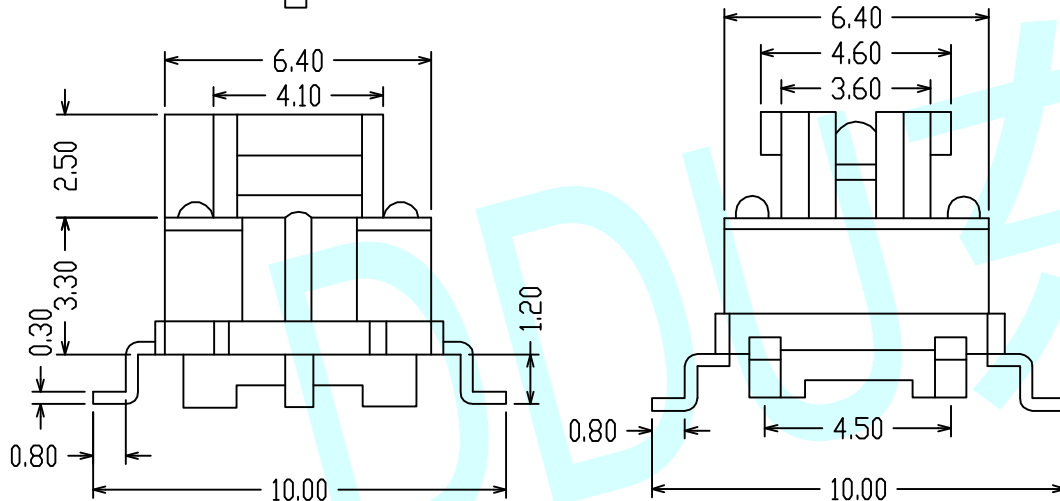
ROHS



Circuit Diagram



PCB Layout (Pattern Side)



NOTES:

1. Rating:12V DC 50mA
2. Contact Resistance:100mΩ Max
3. Insulation Resistance:100MΩ 250V DC FOR 1MIN
4. Dielectric Strength:250V AC(50/60Hz) FOR 1MIN
5. Life Test:100,000 Cycles
6. Operation Force:500gf, 1min
7. Travel:0.25±0.10mm
8. Operating temperature range:-20℃~+70℃

LED Colour (LED颜色)	红黄双色 Red and yellow	红绿双色 Red and Green	黄绿双色 Yellow and Green	
	Whiler (白色)	Full Green(翠绿)	Blue(青色)	Amber(琥珀色)
	Red(红色)	Yellow(黄色)	Green(绿色)	Blue(蓝色)
APPROVALS		DATE	http://www.dongdudz.com	
DRAW:	ZRD	2017-12-6	TOLERANCE:	ANGLE:
CHECKED:	***	****	30° ±0.30	±2°
APPOVALS:	***	****	10°30 ±0.20	
			5°10 ±0.15	
			≤5 ±0.10	
		东都电子 DONGDU ELECTRONICS		
MODL:	LED Tact Switch			
PART NO:	DDU-1522			
UNIT :mm	SCALE:1:1			
REV:	A			PAGE:1/1