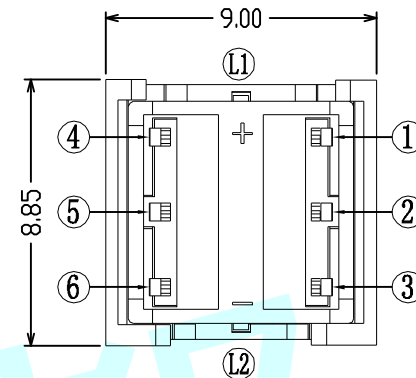
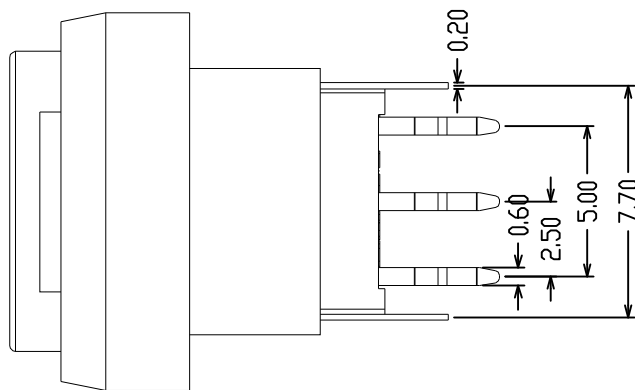
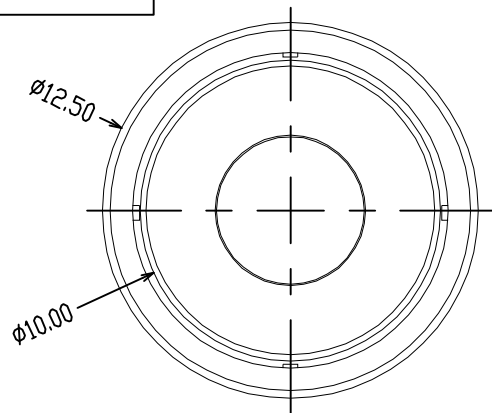
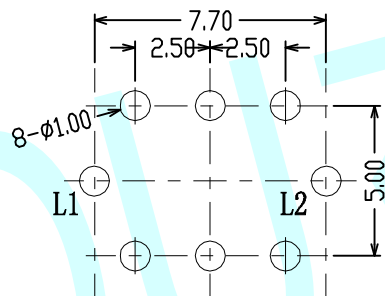
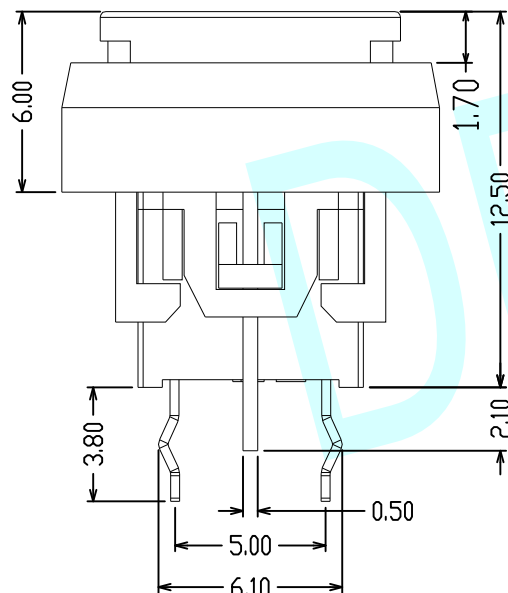


ROHS

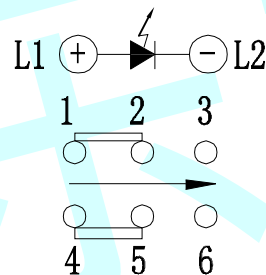


NOTES:

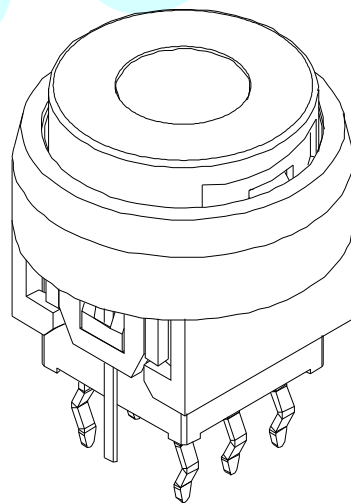
1. Rating: 12V DC 50mA
2. Contact Resistance: 100mΩ Max
3. Insulation resistance: 100MΩ Min
4. Dielectric Strength: 250V AC (50/60HZ) FOR 1Min
5. Life test: 100,000 Cycles
6. Operating temperature range: -20°C ~ +70°C
7. Operation Force: 160±50g/250±50g
8. On Travel: 0.70±0.20mm
9. Lock Travel: 1.70±0.30mm



PCB LAYOUT (Patter Side)



Circuit Diagram



Color	VR	IF	Recommended Operating	IF	
				Nom	Max
White	DC5V	20mA	20mA	3V	3.6V
Red	DC5V	20mA	20mA	1.7V	2.4V
Yellow	DC5V	20mA	20mA	1.9V	2.4V
Blue	DC5V	20mA	20mA	3V	3.6V
Green	DC5V	20mA	20mA	3V	2.4V

Operating Type	Push To Lock (自锁)			Push No Lock (无锁)		
	Whiler (白色)	Red (红色)	Blue (蓝色)	Green (绿色)	Yellow (黄色)	Yellow/White (黄色/白色)
APPROVALS	DATE	http://www.dongdudz.com				
DRAW:	ZRD	2017-12-6	TOLERANCE:	ANGLE:	 东都电子 DONGDU ELECTRONICS	
CHECKED:	***	****	30≥	±0.30		
APPOVALS:	***	****	10~30	±0.20		
			5~10	±0.15		
			≤5	±0.10	MODBL: LED Tact Switch PART NO: DDU-1532 UNIT :mm SCALE: 1:1  REV: A PAGE: 1/1	