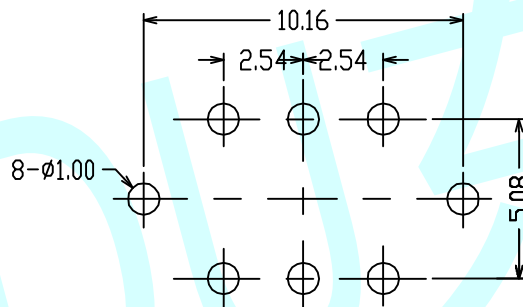
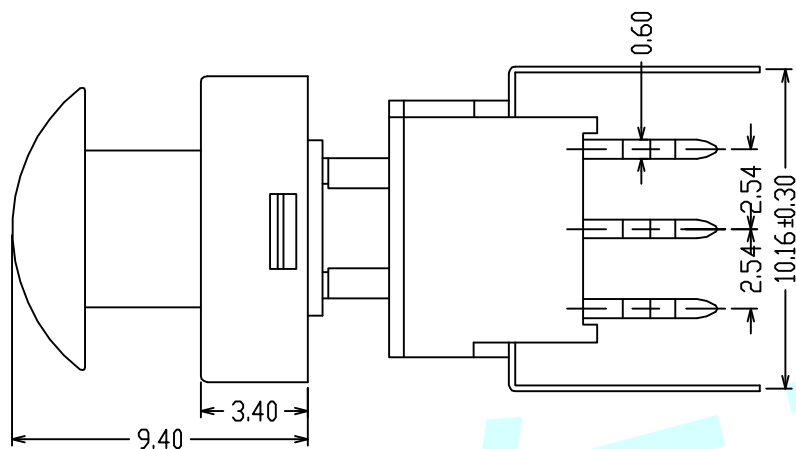
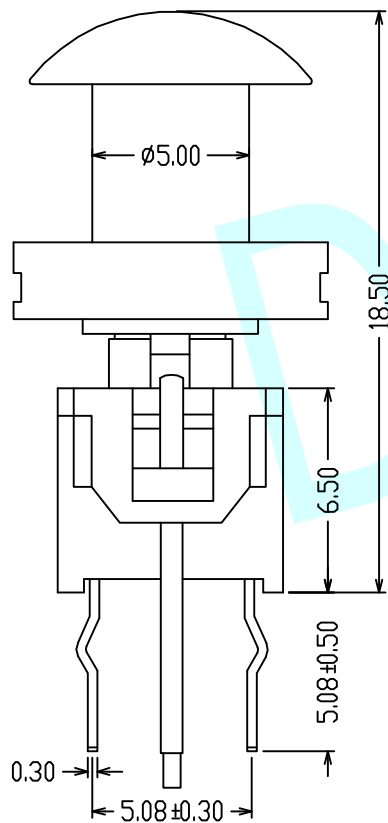
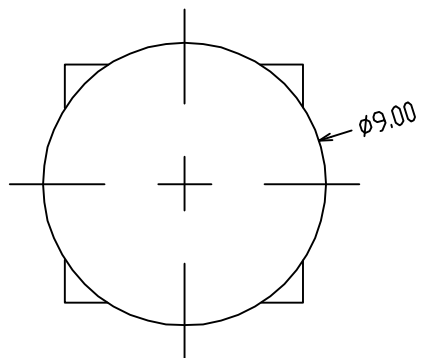


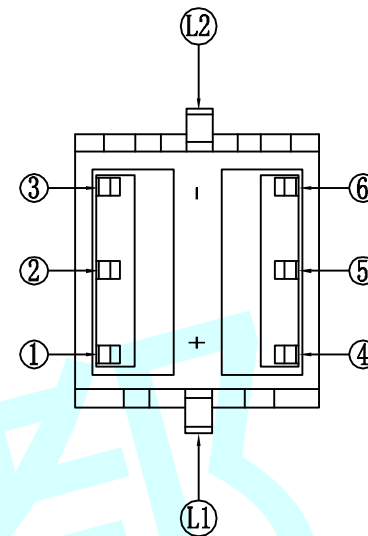
ROHS



PCB Layout (Pattern Side)

NOTES:

1. Rating: 12V DC 50mA
2. Contact Resistance: 100mΩ Max
3. Insulation Resistance: 100MΩ 250V DC FOR 1MIN
4. Dielectric Strength: 250V AC (50/60Hz) FOR 1MIN
5. Life Test: 100,000 Cycles
6. Operation Force: 160 ± 50gf / 250 ± 50gf
7. Travel: 0.25 ± 0.10mm
8. Operating temperature range: -20°C ~ +70°C



Type	Switch Action		Circuit
	Normal ON	Push to lock OFF	
Connectong Terminal	1 - 2 4 - 5	2 - 3 5 - 6	
NO LOCK	Normal ON	Push ON	
Connectong Terminal	1 - 2 4 - 5	2 - 3 5 - 6	
LED Circuit	L1 + — L2		

Operating Type	Push To Lock (自锁)		Push No Lock (无锁)	
LED Colour (LED颜色)	Whiler (白色)	Red (红色)	Blue (蓝色)	Green (绿色)

APPROVALS		DATE	http://www.dongdudz.com	
DRAW:	ZRD	2017-12-6	TOLERANCE:	ANGLE:
CHECKED:	***	****	30 ≥ ±0.30	±2°
APPOVALS:	***	****	10 ~ 30 ±0.20	
			5 ~ 10 ±0.15	
			≤ 5 ±0.10	



MODBL:	LED Tact Switch
PART NO:	DDU-1539
UNIT : mm	SCALE: 1:1
REV:	A