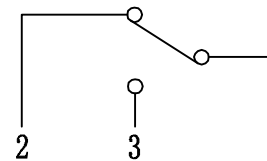
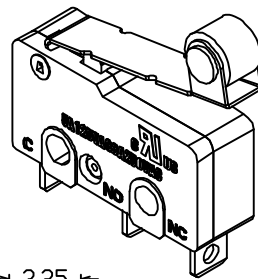
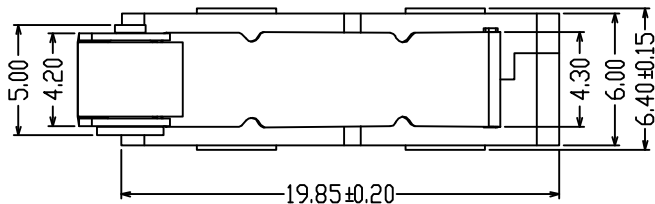
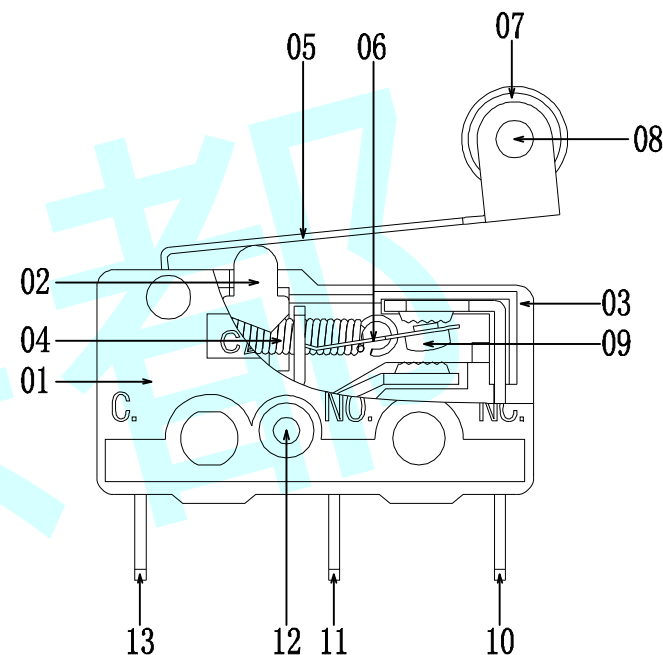
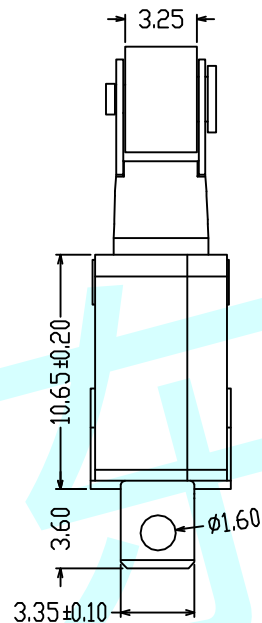
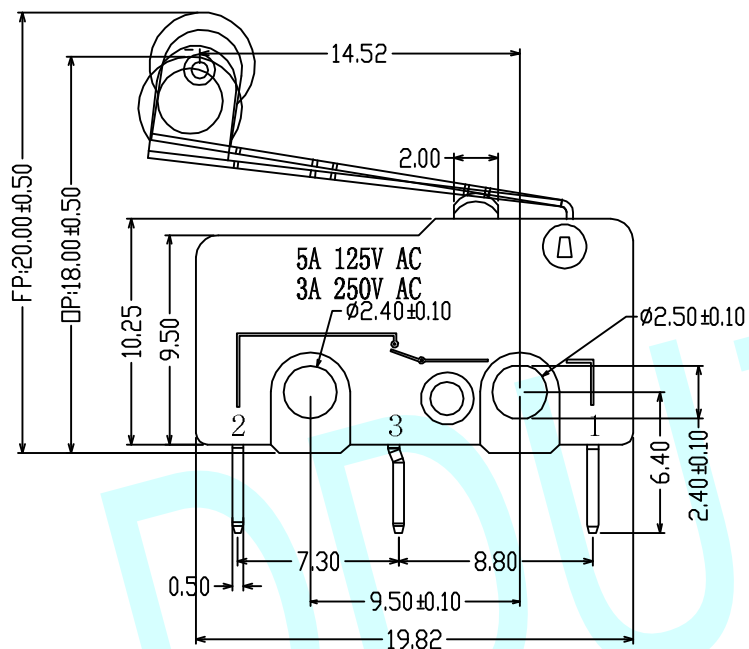


ROHS



Circuit Diagram



NOTES:

A. Electrical characteristics:

1. Rating: 5A 125V AC, 3A/250V AC
2. Contact resistance: 50mΩ max (Initial)
3. Insulation resistance: 100MΩ min (at 500V DC)
4. Dielectric strength: AC 1500V (50/60Hz for 1min)
5. Electrical life: 100,000 cycles min
6. Mechanically life: 300,000 cycles min

B. Mechanical characteristics:

1. Operating force (OF): 100gf max
2. Pre-travel (PT): 4.0mm max
3. Insulation resistance: 100MΩ min (at 500V DC)
4. Operating position (OP): 15.10±1.20mm
5. Operating temperature: -25°C~+85°C

13	COM TERMINAL	H65 (C2680)	1	Ag PLATED
12	RIVET	AL	1	
11	NO TERMINAL	C1100	1	Ag PLATED
10	NC TERMINAL	C1100	1	Ag PLATED
09	CONTACT	SILVER ALLOY	1	
08	AXIS	H59 or C3604	1	Ni PLATED
07	WHEEL	H59 or C3604	1	Ni PLATED
06	CONTACT PLATE	C5210	1	Ag PLATED
05	LEVER	SUS301	1	
04	SPRING	SUS304	1	
03	HOUSING	PA66	1	BLACK
02	NOB	POM	1	BLACK
01	COVER	PA66	1	BLACK
ITEM	PART NAME	MATERIAL	Q' TY	FINISHING

APPROVALS		DATE	http://www.dongdudz.com	
DRAW:	ZRD	2017-12-6	TOLERANCE:	ANGLE:
CHECKED:	***	****	30≥ ±0.30	±2°
APPROVALS:	***	****	10~30 ±0.20	
			5~10 ±0.15	
			≤5 ±0.10	
			东都电子 DONGDU ELECTRONICS	
			MODEL:	MICRO SWITCHS
			PART NO:	DDU-1706
			UNIT :mm	SCALE: 1:1
			REV:	A
				PAGE: 1/1