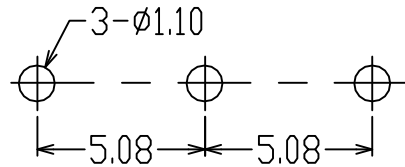
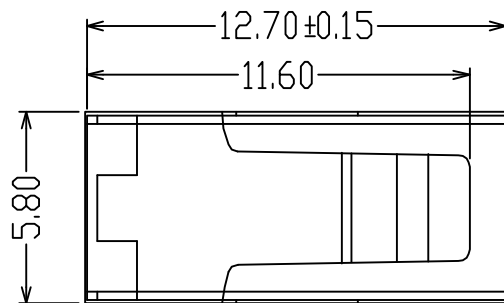
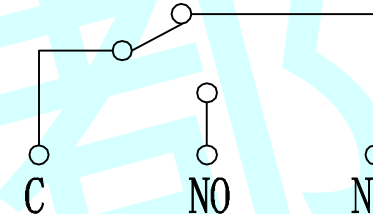
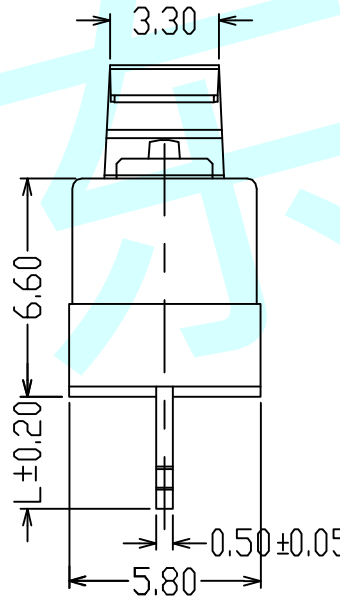
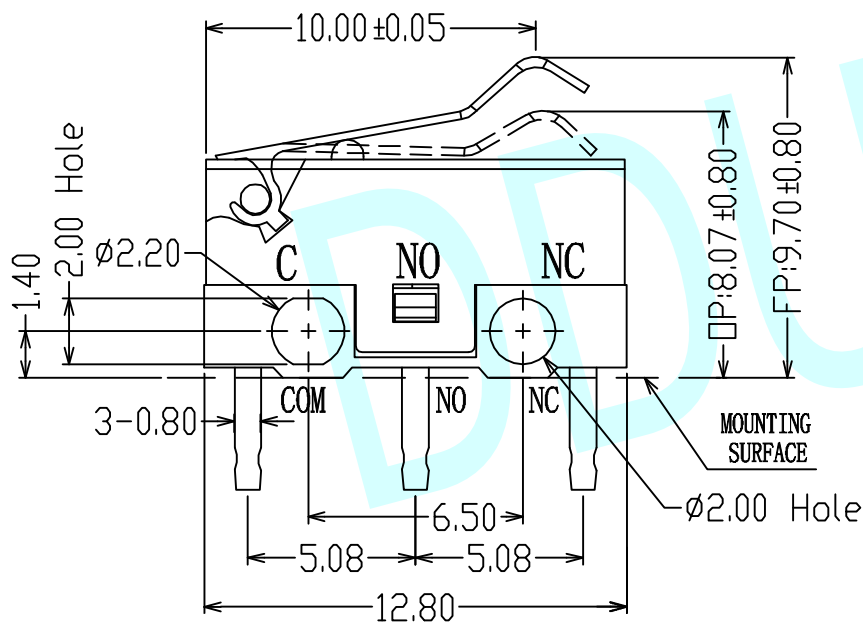
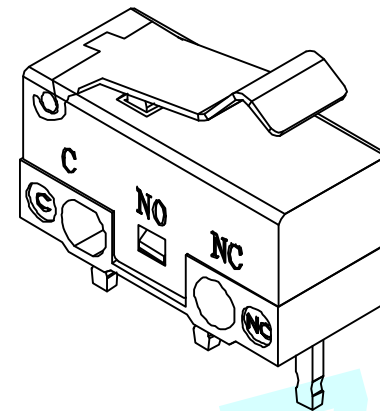


ROHS




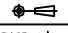
PCB Layout



Circuit Diagram

NOTES:

1. Rating :DC 30V 0.1A
2. Operating Froce :30±15gf
3. Mechanical Life :200,000 cycles
4. OP:8.70±0.80mm

APPROVALS		DATE	http://www.dongdudz.com		 东都电子 DONGDU ELECTRONICS
DRAW:	ZRD	2017-12-6	TOLERANCE:	ANGLE:	
CHECKED:	***	****	30°	±0.30	
APPOVALS:	***	****	10°30'	±0.20	
			5°10'	±0.15	
			≤5	±0.10	±2°
MODEL:	MICRO SWITCHES				
PART NO:	DDU-1711				
UNIT :mm	SCALE:1:1				
REV:	A	PAGE:1/1			