

ROHS

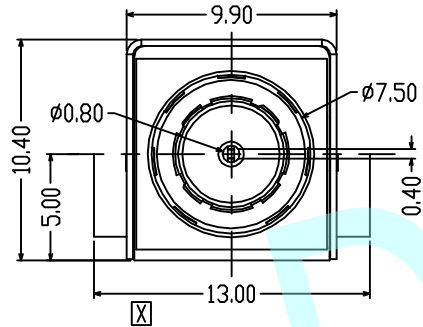
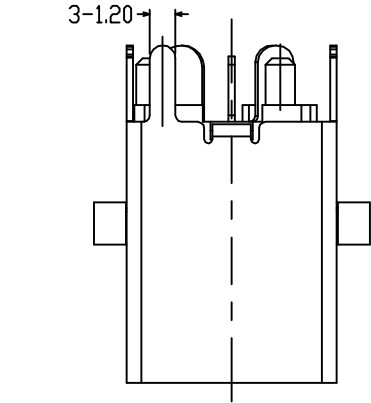
NOTES:

A. Electrical Characteristics :

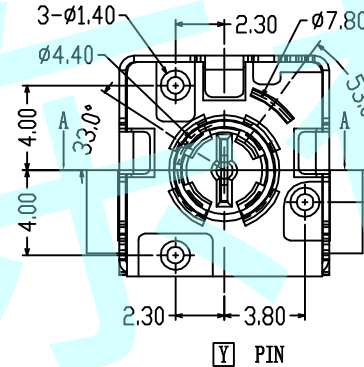
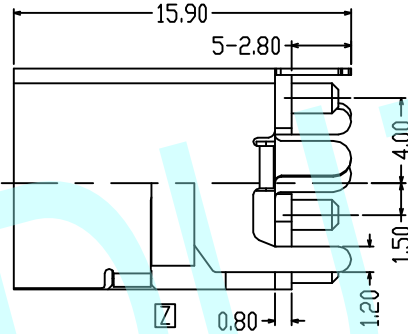
1. Rating :20V 7A Min
2. Contact Resistance:
50 Milliohms Max. For Initial,
80 Milliohms Max. After 5000 Cycles
3. Insulation Resistance :100MΩ Min
BY 500V DC After 1 Minute
4. Dielectric Withstanding Voltage :500V
Rms After 1 Minute

B. Mechanical Characteristics :

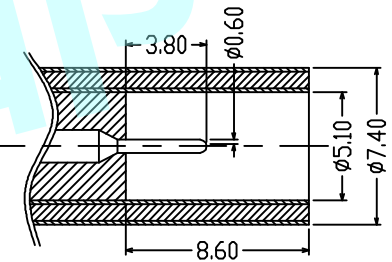
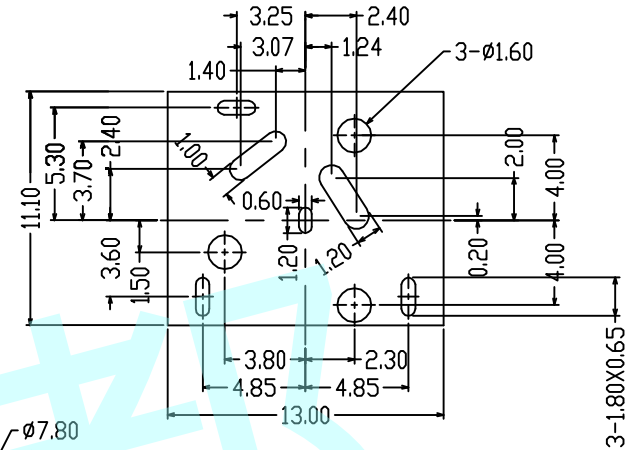
1. Insertion Force :0.3~3.0 KGF (2.94~29.4N)
2. Withdrawal Force :0.3~3.0 KGF (2.94~29.4N)
3. Lifef Tfst. 5000 Cycles Min



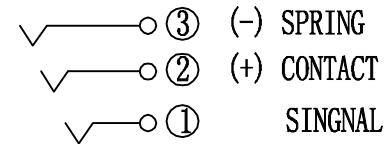
±0.05 X|Y|Z



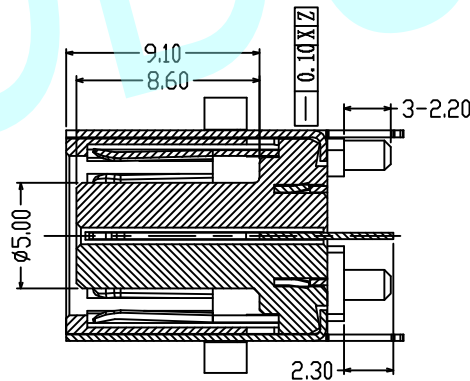
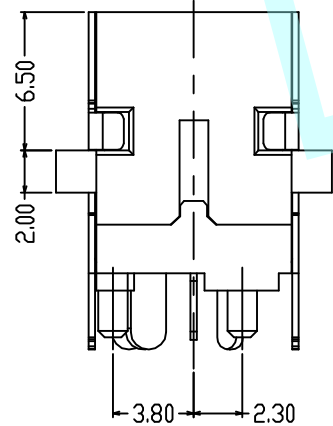
PCB Layout TOP View
Tolerances :±0.05




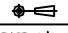
DC PLUG
TIP SPERING



CIRCUIT DIAGRAM



SECTION A-A

APPROVALS		DATE	http://www.dongdudz.com		 ® 东都电子 DONGDU ELECTRONICS
DRAW:	ZRD	2017-12-6	TOLERANCE:	ANGLE:	
CHECKED:	***	***	30°	±0.30	
APPOVALS:	***	***	10°30	±0.20	
			5°10	±0.15	
			≤5	±0.10	±2°
MODEL:	DC POWER JACK		UNIT :mm	SCALE:1:1	
PART NO:	DC-096		REV:	A	PAGE:1/1